



short
CATALOGUE
2023

Ex-protected electrical equipment



To be sure to be safe.



To be sure to be safe.

INDEX

LIGHTING FIXTURES, FLOODLIGHTS, HAND LAMPS..... pg.1

ACOUSTIC, EMERGENCY AND SIGNALLING PRODUCTS..... pg.25

JUNCTION AND PULLING BOXES pg.33

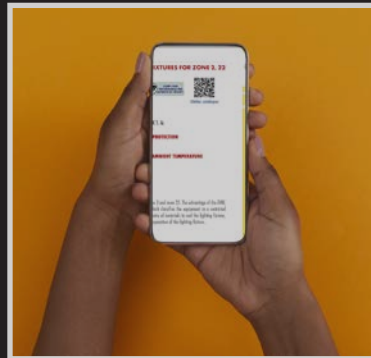
**COMMAND AND CONTROL EQUIPMENT,
SOCKETS AND PLUGS..... pg.51**

CABLE GLANDS AND ACCESSORIES pg.67

ELECTRICAL FITTINGS pg.79

**FOR THE LATEST PRODUCT NEWS AND UPDATES VISIT
WWW.CORTEMGROUP.COM**

OR USE THE QR CODE





The value of experience

Since 1968, Cortem S.p.A. has been designing and manufacturing explosion-proof and weather-proof electrical equipment addressed to hazardous areas. Thanks to a continuous effort in technical innovation and improvement, it's today a leader in this field, able to provide a whole range of products, meeting on-shore and off-shore applications.

The peculiarity of the Technology Group Cortem, formed by Cortem, Elfit and Fondisonzo companies, is the experience gained in the Ex field which results not only in the furniture of simple Ex-products, but also in engineered and customized solutions. All our products are designed and manufactured internally according to different methods of protection such as 'Ex d' flameproof, 'Ex e' increased safety, 'Ex de' mixed and 'Ex n' no sparking, using primary aluminium alloys, stainless steels and plastic materials that assure resistance and duration. The aluminum alloy used by

Cortem has passed all tests required by EN 60068-2-30 Standard (hot/humid cycles) and EN 60068-2-11 Standard (salt spray test). All our products in aluminium alloy are protected by a polyester coating RAL 7035. This treatment, only provided by Cortem Group, guarantees a durable protection.

Cortem production range can be summarized as follows:

1. Lighting fixtures with LED technology, fluorescent lamps, halogen lamps, sodium vapor, high pressure mercury vapor, metal halide, mixed light. Obstruction lighting fixtures, rechargeable hand-held lamps for tank inspection. Zone 1, 2, 21, 22.
2. Junction and pulling boxes, enclosures for power and control panels, grounding security systems for tankers. Zone 1, 2, 21, 22.



3. Control stations, command and control operators, signals, electrical circuits and/or motive power switches, limit switches available in ten different models depending on the type of actuator used, grounding equipment. Zone 1, 2, 21, 22.
4. Plugs and Sockets up to 125A with disconnecting interlocked switch. Zone 1, 2, 21, 22.
5. Ex-protected cable glands, fittings, flexible tubes for the realization of complete electrical systems.
6. Ex-protected switchgear and panel board according to customers' specification.
7. Aluminium customized die-casting items using primary and secondary alloys in various fields: electro-mechanical, hydraulic, transports, food, lighting and furniture.

90% of our production are located in the Oil & Gas sector both off-shore and on-shore, but also in chemical, pharmaceutical plants and in all those manufacturing areas where the presence of explosive atmospheres may occur such as grain silos, woodworks and paper mills. We invest every year some of our resources to develop innovative products that meet the market needs, and, for this reason, our R&D department studies the best solution valuating normative and market price issues, plant and security aspects.

With 4 Sister Companies, 10 Distribution Hubs and a wide sales network, Cortem provides a local and qualified presence around the world.

The pay-off "to be sure to be safe" represents our pride and passion for what we design and manufacture.

100%
Quality

Quality, safety for people and environment

The recognized quality of our products and of our automated control manufacturing systems is one of the principles guiding Cortem Group activities in order to ensure people safety on plants and environment protection.

There's an internal control system of all the productive cycle.

The Quality System conforms to the requirements of UNI EN ISO 9001:2015.

Plant facilities and production procedures meet also the international standard UNI EN ISO

14001:2015 for the Environmental Management System. Furthermore, Cortem Group has developed an Occupational Safety and Health Management System certified according to ISO 45001 Standard.

The explosion-proof electrical equipment manufactured by Cortem Group are certified in accordance with the European standard ATEX and the International regulation IEC Ex, also obtained have obtained the Brazilian INMETRO, the English UKEX, the Emirati ECASEx, the Indian CCoE, the Chinese CCC and the TR CU certification. Respecting these strict international construction rules, Cortem guarantees the safety of people and environment



NO FAKE PROJECT

"No Fake" project

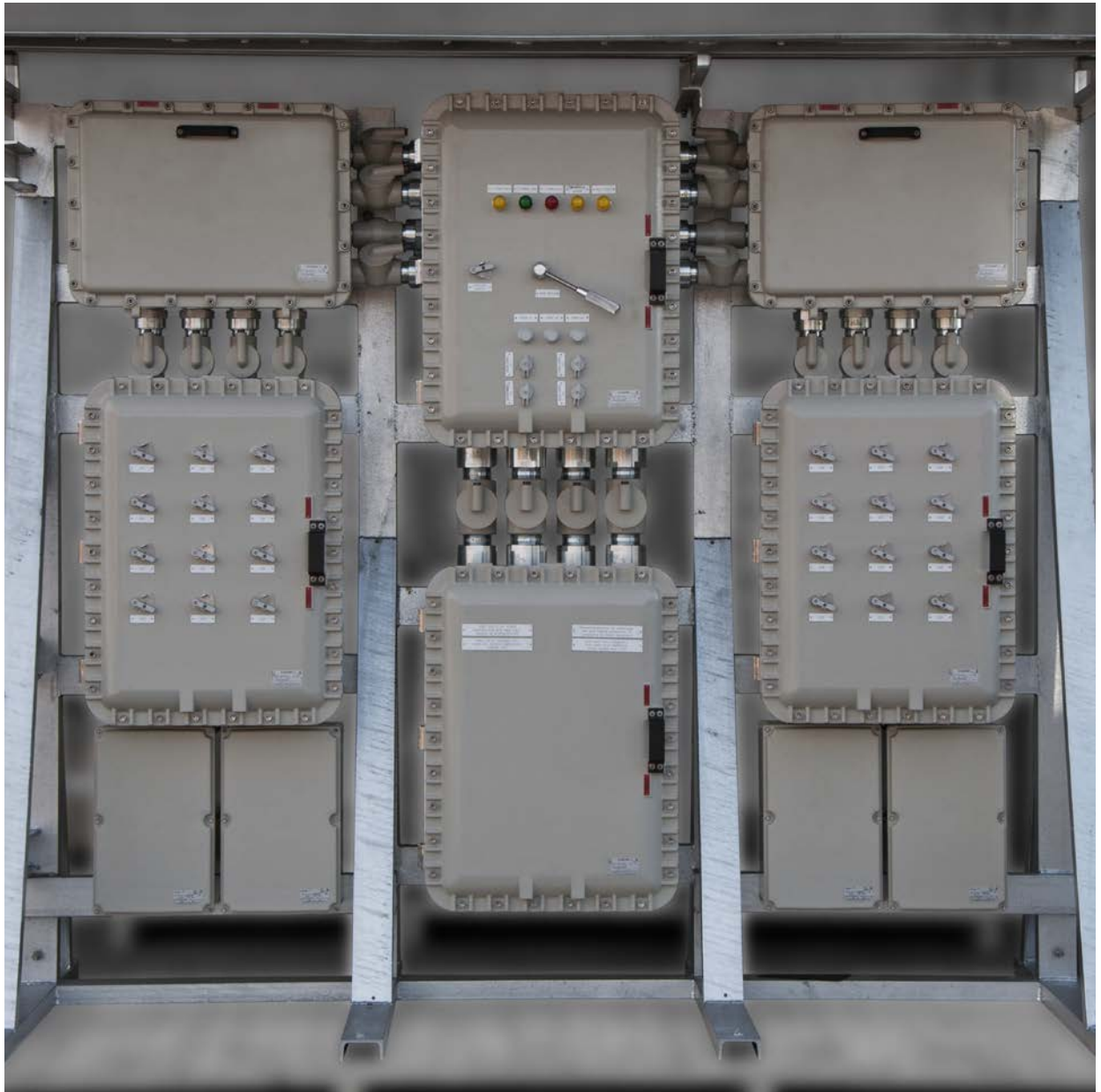
Cortem Group "No Fake" project tackles the counterfeiting of products. The authenticity of Cortem products is guaranteed by the application of an adhesive label with holographic image, an alphanumeric code and a QR code for smartphone readers. The correctness of the alphanumeric code can be checked on Cortem web site www.cortemgroup.com.

The material used consists of a new tamper-evident metallic base for high refractive index holograms, while the image was originated on Cortem Group graphics with technologies used by current banknote and document of identity applications.

The Cortem Group hologram is registered at the Hologram Image Register held by the International Chamber of Commerce Counterfeiting Intelligence Bureau (CIB).



Special products: switchgears and panel boards



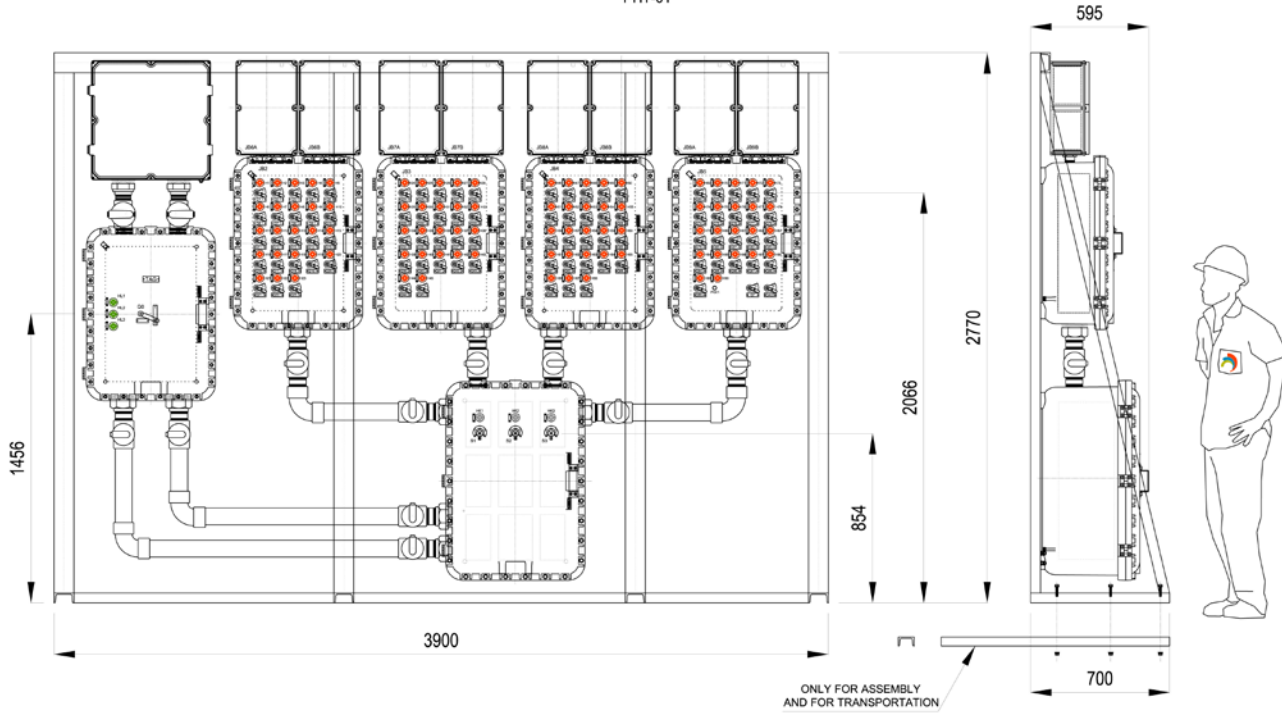
Cortem Group manufactures electrical panels and control batteries, according to customer's specification, using junction boxes in low copper content aluminium alloy, in glass reinforced polyester or in stainless steel.

Such equipment can be installed in lighting, motive

power distribution and motor control valves systems and in panels with sockets. They are provided with various current rated switches, control or signal electrical and electronic devices. They are made in accordance to the main types of protections suitable for heavy-duty environments, ready-to-use and finished with polyester powder paint.

NOTE:
TOTAL WEIGHT = ~1800 Kg

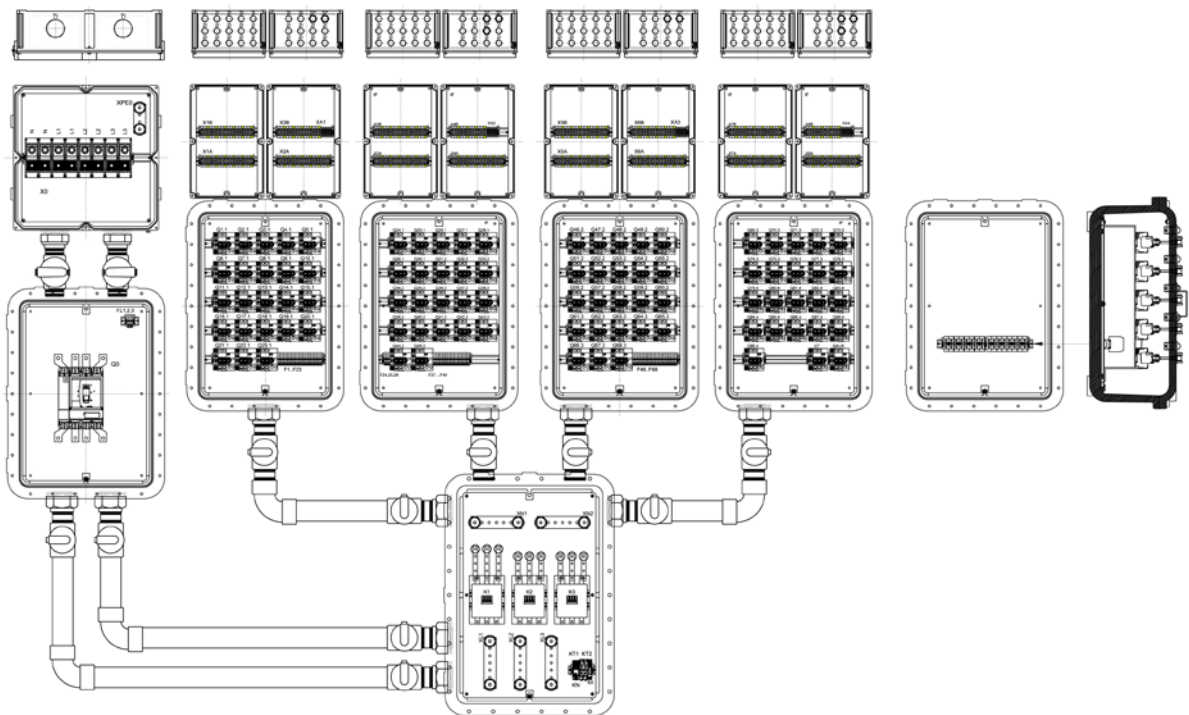
GENERAL ARRANGEMENT
PHT-01



WE MAKE IT
AS YOU NEED IT

NOTE:
TOTAL WEIGHT = ~1800 Kg

INTERNAL LAYOUT
PHT-01



EVML SERIES LOW BAY LED LIGHTING FIXTURE



[Online catalogue](#)



MARKING

II 2GD Ex eb mb op is IIC T.. Gb - Ex tb op is IIIC T.. °C Db

DEGREE OF PROTECTION

IP66

STANDARD AMBIENT TEMPERATURE

-40°C +60°C

ZONE

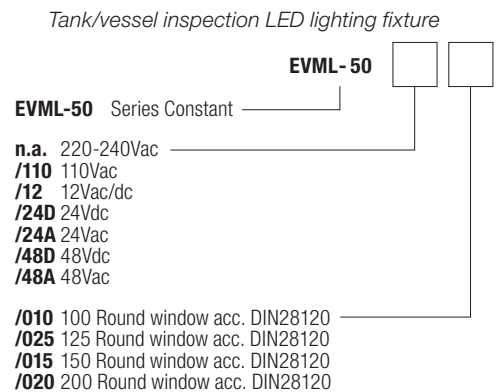
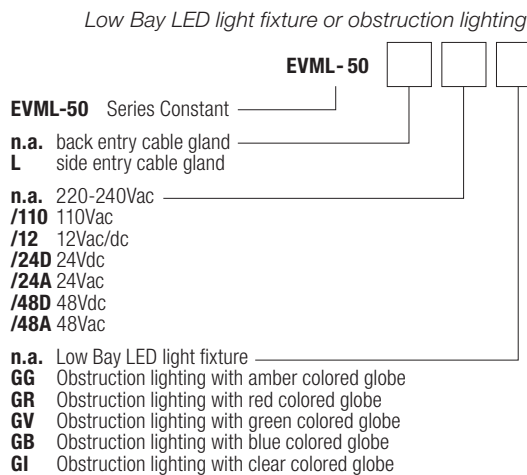
1-2-21-22

FEATURES AND BENEFITS

EVML lighting fixtures have been conceived to offer a Low Bay lighting fixture that could replace incandescent equivalents at lower costs. They are suitable for the illumination of small areas in which it's necessary to limit the obstruction such as tunnels, passages, corridors, stairways, perimeter walls and command and control cabins. The model with the side entry meets, at last, some specific installation needs, reducing the overall dimensions (code EVML-50L). They can also be used to illuminate and monitor hazardous materials contained inside tanks and cisterns thanks to a bracket for the coupling with the porthole flange (code EVML-50/O..).

- Body in nickel-plated brass.
- Sealing ring.
- Compression ring in plastic material.
- ISO 7/1, NPT and isometric threads. Fixture supplied with NAV1 61B cable gland.
- Bolts and screws in stainless steel.
- RAL 7035 polyester coating.

Order code logic



Example:

- EVML-50L/24D** Low Bay LED lighting fixture with side entry cable gland, rated voltage 24Vdc.
- EVML-50L/24D/GG** LED obstruction lighting with amber colored globe, rated voltage 24Vdc.
- EVML-50/110/010** Tank/vessel inspection LED lighting fixture, rated voltage 110Vac/dc, with 200 round windows according to DIN28120.

FLOWEX-ME SERIES HIGH BAY LED LIGHTING FIXTURES



[Online catalogue](#)



MARKING

Ex eb mb IIC T.. Gb - Ex tb IIIC T.. °C Db

DEGREE OF PROTECTION

IP66

STANDARD AMBIENT TEMPERATURE

-60°C +60°C

ZONE

1-2-21-22

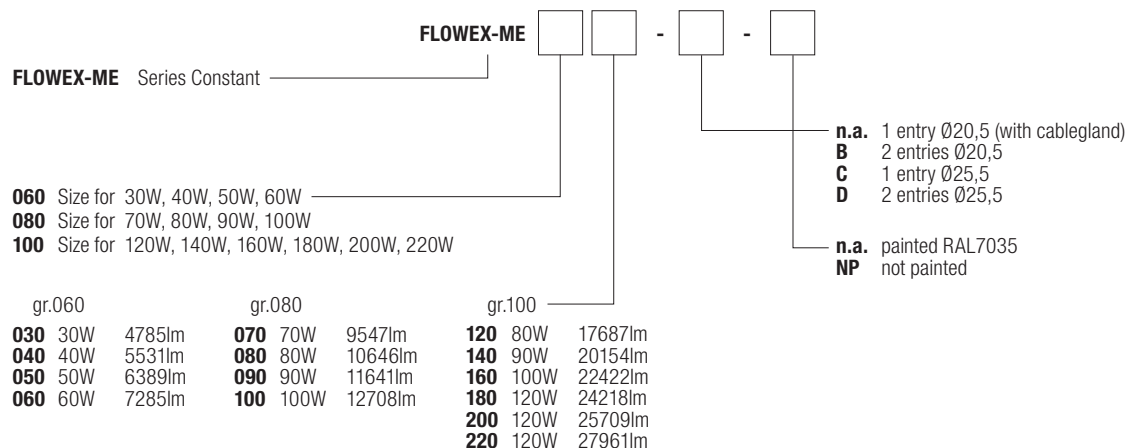
FEATURES AND BENEFITS

The FlowEx-ME explosion-proof LED lighting fixtures combine the constant lighting power of 151 l / W real with extreme lightness, ease of installation and versatility for any type of certified environment. The FlowEx-ME series consists of three lamp body sizes and represents the LED alternative for all those areas where it was customary to install low and medium power discharge lamps up to 400W.

The finned body, patented with Heat Destroyer technology, is made of high-quality die-cast aluminum and acts as an excellent heat sink for the circular crown-shaped LED plate. The central heat sink element allows the fresh outside air to disperse the heat by lapping the surfaces in an ascending movement of air that takes advantage of natural convection.

- Heat dissipation body which guarantees the LED plate long duration.
- Low copper content aluminium alloy body and ring.
- Simple installation and continuous illumination even in the event of failure of some LEDs.
- 'Ex e' internal terminal junction box which allows the connection with an 'Ex e' cable gland (not barrier).
- Bolts and screws in stainless steel.
- RAL 7035 polyester coating.

Order code logic



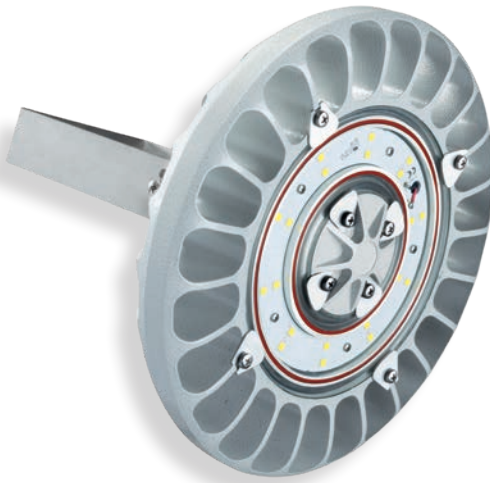
Example:

FLOWEX-ME-060030 High bay LED lighting fixture with 30W power LED, rated voltage 100-277 Vac.

FLOWEX-MN SERIES HIGH BAY LED LIGHTING FIXTURES



[Online catalogue](#)



MARKING

Ex nR IIC T.. Gc - Ex tb IIIC T.. °C Db

DEGREE OF PROTECTION

IP66

STANDARD AMBIENT TEMPERATURE

-60°C +60°C

ZONE

2-21-22

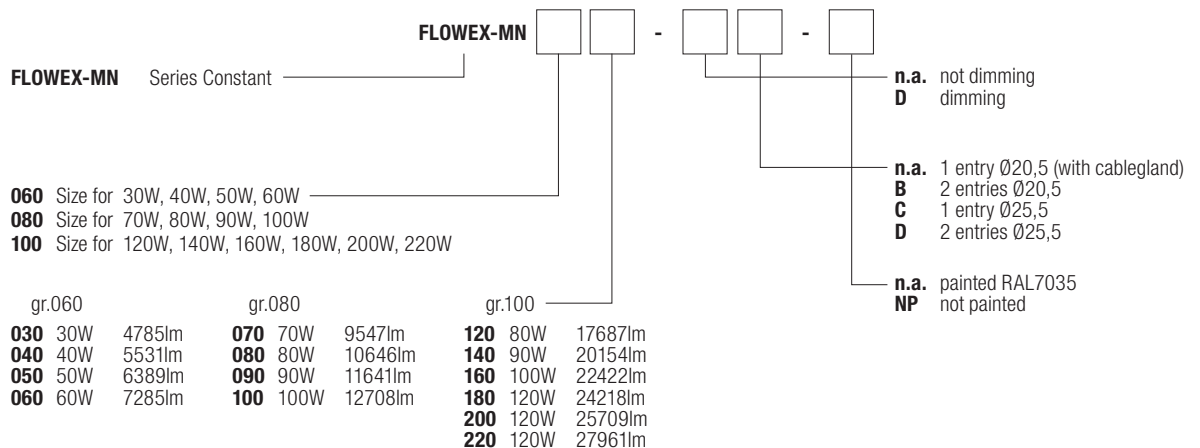
FEATURES AND BENEFITS

The FlowEx-MN explosion-proof LED lighting fixtures combine the constant lighting power of 151 l / W real with extreme lightness, ease of installation and versatility for any type of certified environment. The FlowEx-MN series consists of three lamp body sizes and represents the LED alternative for all those areas where it was customary to install low and medium power discharge lamps up to 400W.

The finned body, patented with Heat Destroyer technology, is made of high-quality die-cast aluminum and acts as an excellent heat sink for the circular crown-shaped LED plate. The central heat sink element allows the fresh outside air to disperse the heat by lapping the surfaces in an ascending movement of air that takes advantage of natural convection.

- Heat dissipation body which guarantees the LED plate long duration.
- Low copper content aluminium alloy body and ring.
- Simple installation and continuous illumination even in the event of failure of some LEDs.
- 'Ex e' internal terminal junction box which allows the connection with an 'Ex e' cable gland (not barrier).
- Bolts and screws in stainless steel.
- RAL 7035 polyester coating.

Order code logic



Example:

FLOWEX-MN-060030 High bay LED lighting fixture with 30W power LED, rated voltage 100-277 Vac.

EVL SERIES HIGH BAY LED LIGHTING FIXTURE



[Online catalogue](#)

PHASE-OUT



MARKING

Ex II 2GD Ex db eb op is IIC T.. Gb;
Ex tb op is IIIC T..°C Db

DEGREE OF PROTECTION

IP66

STANDARD AMBIENT TEMPERATURE

-40°C +60°C

ZONE

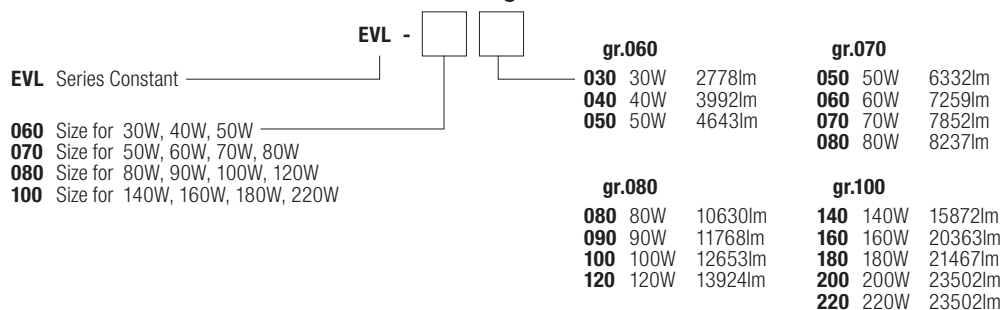
1-2-21-22

FEATURES AND BENEFITS

EVL series features a multi LED board plate which allows a better control of heat dissipation, excellent mechanical strength and a larger light emission area that offers greater illumination and reduced glare. EVL series represents the LED alternative for all those areas in which it was usual to use lighting fixtures with discharge lamps of low and medium power more than 400W.

- Four sizes of lighting systems: EVL-060, EVL-070, EVL-080, EVL-100.
- New supply voltages available (from 120 Vac to 277 Vac).
- Different powers available for each model with different lumens performance (from 1.900 lm to 21.700 lm).
- New portable model.
- 2 x ISO M20 entries. Fixture kit with PLG11B plug and NAV20SIB cable gland.
- Shock resistant tempered glass.
- Bolts and screws in stainless steel.
- RAL 7035 polyester coating.

Order code logic



Example:

EVL-060050 High Bay LED lighting fixture with 50W power LED.



[Online catalogue](#)

PHASE-OUT



MARKING

Ex II 3GD Ex nR IIC T.. Gc
Ex tc IIIC T.. °C Dc

DEGREE OF PROTECTION

IP66

STANDARD AMBIENT TEMPERATURE

-40°C +60°C

ZONE

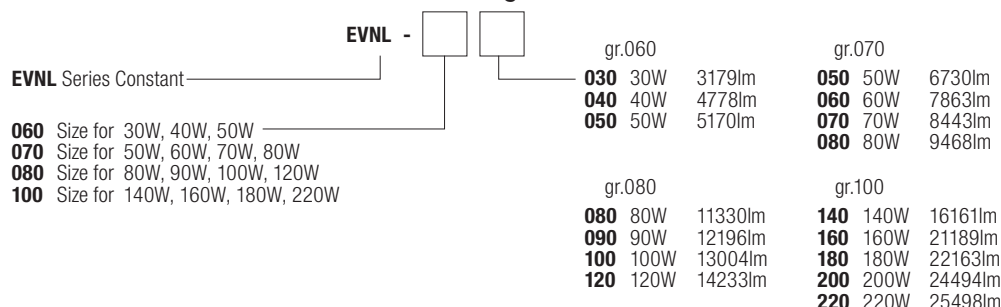
2-22

FEATURES AND BENEFITS

EVNL series LED lighting fixtures is suitable for plants classified as zone 2 and zone 22. The advantage of the EVNL lighting fixtures is the implementation of the "Ex nR" protection which classifies the equipment as a restricted breathing device. The careful design, together with the meticulous choice of materials to seal the lighting fixture, limits the entry of flammable gases, vapours or mists during normal operation of the lighting fixture.

- Multi LED plate.
- Replaces traditional discharge lamps exceeding 400W.
- Low copper content aluminium alloy body and ring.
- High efficiency electronic ballast multi voltage.
- 2 ISO M20 entries. Fixture complete with a PLG11LXE7 plug and NAV20SIB cable gland.
- Transparent front cover high temperature and shock resistant tempered glass or polycarbonate.
- Bolts and screws in stainless steel.
- RAL 7035 polyester coating.

Order code logic



Example:

EVNL-100160 High Bay LED lighting fixture for zone 2,22 with 160W power LED.

EV... SERIES EMPTY LIGHTING FIXTURES FOR LED LAMPS



[Online catalogue](#)



MARKING

EV Ex II 2GD Ex d IIC T.. Gb - Ex tb IIIC T.. °C Db
EVE Ex II 2GD Ex de IIC T.. Gb - Ex tb IIIC T.. °C Db IP66

DEGREE OF PROTECTION

IP66

STANDARD AMBIENT TEMPERATURE

-20°C +60°C

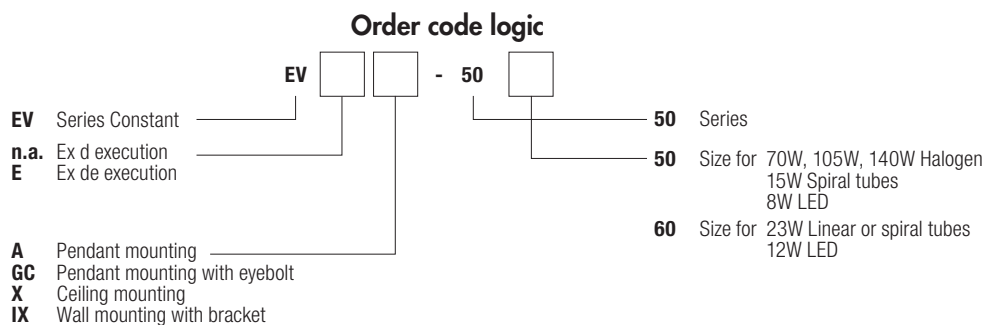
ZONE

1-2-21-22

FEATURES AND BENEFITS

EV series lighting fixtures for traditional and LED lamps combine beauty and functionality along with high performance and simplicity in complete compliance with the technological requirements of the "Ex sector". The mechanical features of EV series make these lighting fixtures ideal for use in environments with corrosive atmospheric agents, salts and industrial pollution and guarantee a long working life with little maintenance. For EVE the electrical connection is performed through a terminal board installed in a "Ex e" enclosure, which allows the entry with a cable gland with a sealing "Ex" ring (no barrier), as indicated by the installation on plant Standard (EN/IEC 60079-14).

- Low copper content aluminium alloy body.
- E27 ceramic lamp holder.
- Standard power supply 230V 50/60Hz.
- Borosilicate glass globe.
- Internal/external stainless steel earth screw.
- 3/4" NPT threaded holes.
- RAL 7035 polyester coating.
- Stainless steel guard.
- Silicone gaskets.



Example:
EVA-5060 Lighting fixture with pendant mounting, size type 60.

RLFE SERIES LIGHTING FIXTURES FOR DISCHARGE LAMPS UP TO 400W



[Online catalogue](#)



MARKING

Ex II 2GD Ex e mb IIC T.. Gb - Ex tb IIIC T.. °C Db

DEGREE OF PROTECTION

IP66

STANDARD AMBIENT TEMPERATURE

-20°C +60°C

ZONE

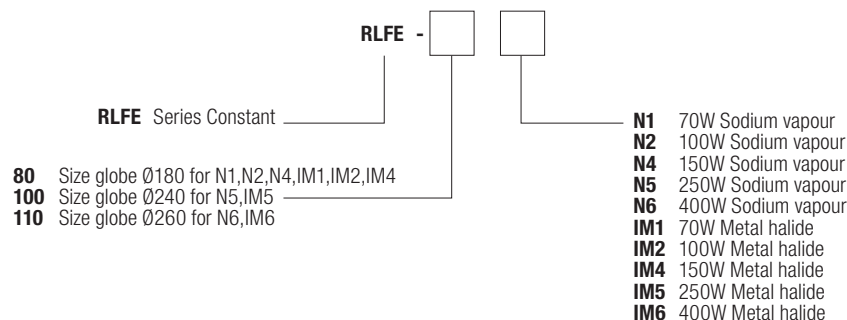
1-2-21-22

FEATURES AND BENEFITS

RLFE series lighting fixtures for discharge lamps are ideal for lighting large areas specifically in the chemical, on and off shore petrochemical industries. The body of the lighting fixture is made from low copper content aluminium alloy, the globe is made of borosilicate glass and has excellent thermal and mechanical properties as well as being able to withstand shocks of up to 4 Joules. For this reason, the fixture can also be installed without a protective guard as specified in the relevant standards. In the RLFE series, the lamp and lamp holder are separated by a "chamber" housing the ballast and the igniter that, in turn, are separated by a "Ex e" terminal box used to connect the lighting fixture to the power supply through a cable gland with an Ex (non barrier) seal as specified in EN/IEC 60079-14.

- Low copper content aluminium alloy body.
- Borosilicate glass globe.
- PLG21B plug and NAV251B cable gland.
- Standard power supply 230V 50Hz.
- Stainless steel protective guard.
- RAL 7035 polyester coating.
- Silicon gaskets.

Order code logic



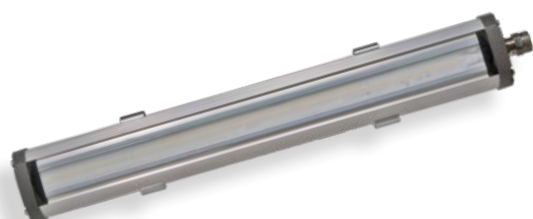
Example:

RLFE-100N5 Lighting fixture for discharge lamp from 250W sodium vapour.

LIFEX-ME SERIES LINEAR LED LIGHTING FIXTURE IN ALUMINUM



[Online catalogue](#)



MARKING

Ex II 2GD Ex db eb mb IIC T.. Gb; Ex tb IIIC T.. °C Db

DEGREE OF PROTECTION

IP66

STANDARD AMBIENT TEMPERATURE

-60°C +60°C

ZONE

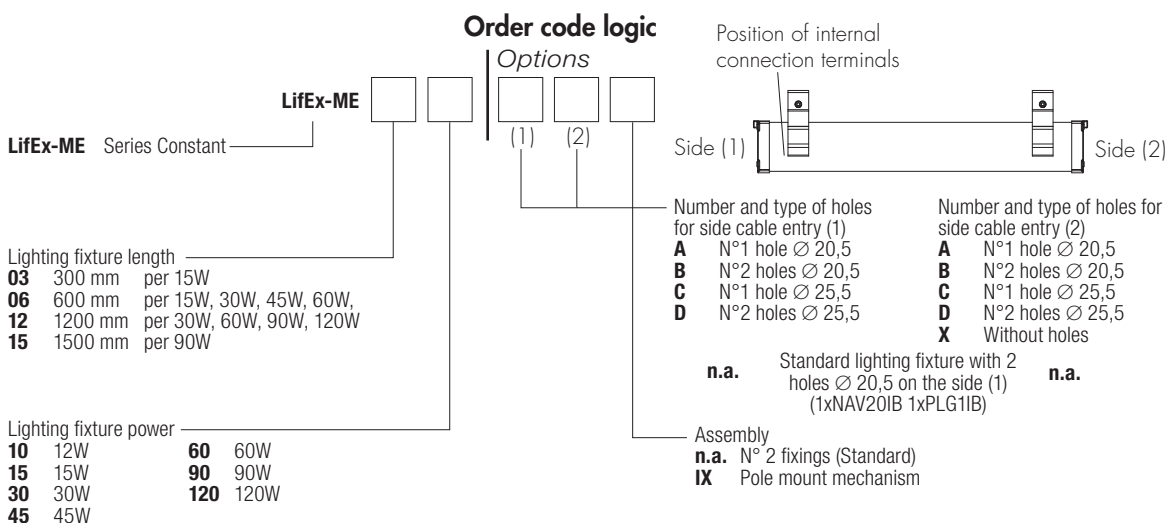
1-2-21-22

FEATURES AND BENEFITS

LifEx-ME series lighting fixtures are the first native LED linear product with an innovative design developed by Cortem Group listening to and interpreting the needs of its customers.

A careful product architecture oriented to the optimal management of the total life cycle (circular economy) and to the maximization of the useful life has allowed to obtain a lighting fixture of reduced dimensions, light and easy to install, but robust and long-lasting at the same time.

- Extruded high-quality anodized aluminum body.
- Transparent glass, shock impact and UV resistant.
- Innovative bracket system allows the rotation from -30° to +30°.
- Caps in aluminium fixed by means of four stainless steel screws.
- Standard power supply 100/277V 50/60Hz.
- Available also in the models normal + emergency and only emergency (T. amb. -20°C +60°C)

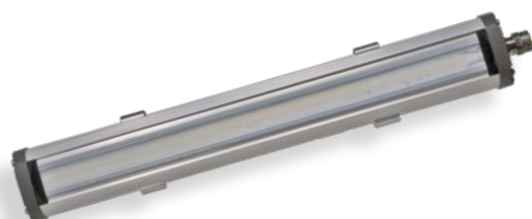


Example:

LifEx-ME0615 Linear LED lighting fixture with metallic enclosure, length 600mm with 15W power LED, rated voltage 220-240Vac with 2 holes Ø 20,5 on side (1) (1xNAV20IB 1xPLG11B)



[Online catalogue](#)



MARKING

Ex II 3GD Ex ec IIC T.. Gc; Ex tb IIIC T.. °C Db

DEGREE OF PROTECTION

IP66

STANDARD AMBIENT TEMPERATURE

-20°C +60°C

ZONE

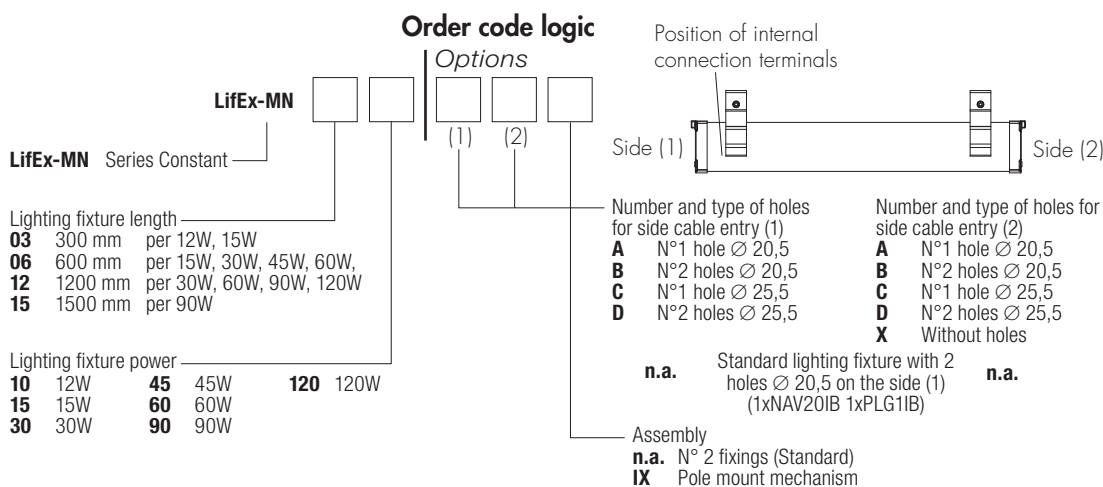
2-21-22

FEATURES AND BENEFITS

LifEx-MN series emergency lighting fixtures are the first native LED linear product with an innovative design developed by Cortem Group listening to and interpreting the needs of its customers.

A careful product architecture oriented to the optimal management of the total life cycle (circular economy) and to the maximization of the useful life has allowed to obtain a lighting fixture of reduced dimensions, light and easy to install, but robust and long-lasting at the same time.

- Extruded high-quality anodized aluminum body.
- Transparent glass, shock impact and UV resistant.
- Innovative bracket system allows the rotation from -30° to +30°.
- Caps in aluminium fixed by means of four stainless steel screws.
- Standard power supply 100/277V 50/60Hz.
- Batteries Ni/Mh. Battery charging indicated by the green LED
- Available also in the models normal + emergency and only emergency model (T. amb. -20°C +60°C)



Example:

LifEx-MN0630NAA Linear LED emergency lighting fixture with metallic enclosure, for zone 2, 21, 22, length 600mm with 30W power LED, rated voltage 220-240Vac and normal operation + emergency, with 1 holes Ø 20,5 on side (1) and 1 holes Ø 20,5 on side (2).



[Online catalogue](#)



MARKING

Ex II 2GD Ex db op is IIC T6 Gb - Ex tb op is IIIC T...°C Db (FLF)
Ex II 2GD Ex db eb op is IIC T6 Gb - Ex tb op is IIIC T...°C Db (FLFE)

DEGREE OF PROTECTION

IP66

STANDARD AMBIENT TEMPERATURE

-20°C +55°C

ZONE

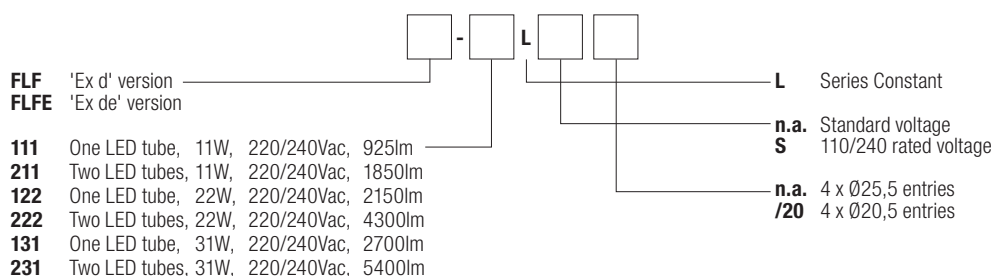
1-2-21-22

FEATURES AND BENEFITS

FLFE...L (Ex de) and FLF...L (Ex d) series lighting fixtures for LED tubes have two low copper content aluminium heads fitted with G13 lamp holder, a tempered borosilicate glass body that is resistant to changes in heat and a white painted aluminium reflector. The 'Ex de' lighting fixture features an "Ex e" terminal board housing that allows entry to the lamp with a cable gland with an "Ex" seal (normal) as specified in installation standard (EN/IEC 60079.14). The entry to the 'Ex d' lighting fixtures must be through an Ex "barrier" cable gland (sealed) or, in the case of a conduit system, with an EYS, EZS series sealing fittings.

- Aluminium alloy body with low copper content.
- Shock and high temperature resistant borosilicate glass.
- White painted aluminium frame that acts as reflector.
- Neoprene gaskets.
- Galvanized steel bracket.
- Bolts and screws in stainless steel.
- RAL 7035 polyester coating.

Order code logic



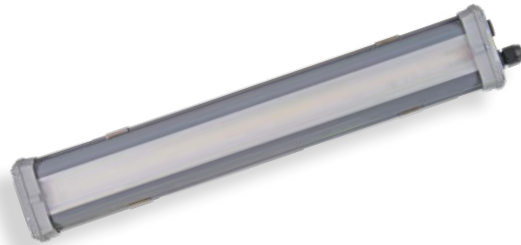
Example:

FLFE-211LS/20 'Ex de' lighting fixture with 11W LED tubes, rated voltage 110-240Vac and 4 x Ø20,5 entries

LIFEX-PE SERIES LINEAR LED LIGHTING FIXTURE IN PLASTIC MATERIAL



[Online catalogue](#)



MARKING

Ex II 2GD - Ex db eb mb IIC T.. Gb - Ex tb IIIC T.. °C Db

DEGREE OF PROTECTION

IP66

STANDARD AMBIENT TEMPERATURE

-60°C +60°C

ZONE

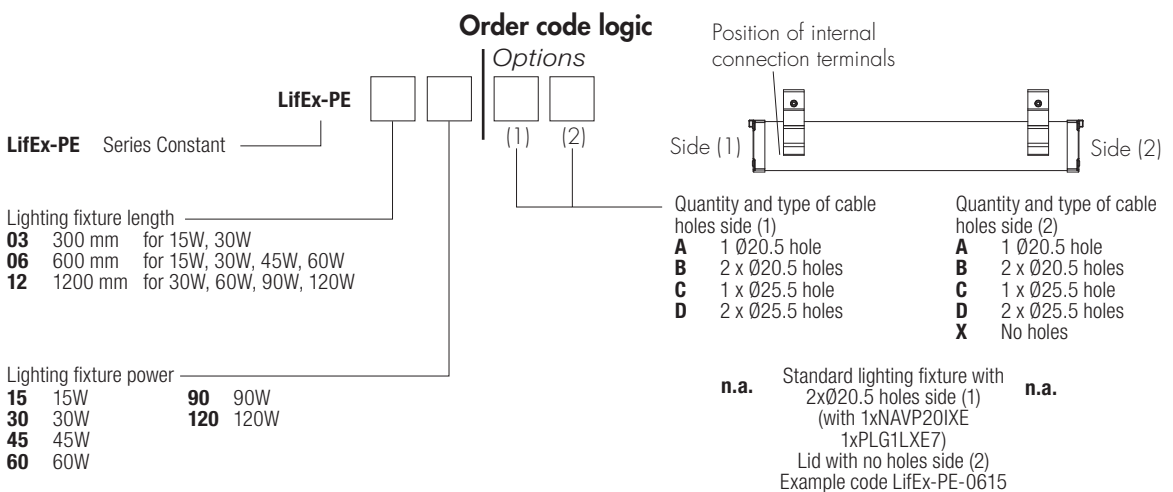
1-2-21-22

FEATURES AND BENEFITS

LifEx-PE series lighting fixtures are the first native LED linear product with an innovative design developed by Cortem Group listening to and interpreting the needs of its customers.

A careful product architecture oriented to the optimal management of the total life cycle (circular economy) and to the maximization of the useful life has allowed to obtain a lighting fixture of reduced dimensions, light and easy to install, but robust and long-lasting at the same time.

- Extruded high-quality in polycarbonate and GRP headers Impact (IK09) and UV-resistant
- Transparent part, shock impact and UV resistant.
- Caps in aluminium fixed by means of four stainless steel screws.
- Bolts and screws in stainless steel.
- Standard power supply 100/277V, 220/240V, 50/60Hz.
- Available also in the models normal + emergency and only emergency (T. amb. -20°C +60°C)



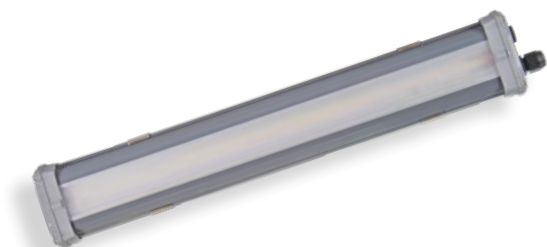
Example:

LifEx-PE0615 Linear LED lighting fixture with plastic enclosure, length 600mm with 15W power LED, rated voltage 220-240Vac with 2 holes Ø20.5 on side (1) (1xNAVP20IB 1xPLG1IB)

LIFEX-PN SERIES LINEAR LED EMERGENCY LIGHTING FIXTURES IN PLASTIC MATERIAL



[Online catalogue](#)



MARKING

Ex II 3G - Ex ec IIC T.. Gc - Ex tb IIIC T.. °C Db

DEGREE OF PROTECTION

IP66

STANDARD AMBIENT TEMPERATURE

-60°C +60°C

ZONE

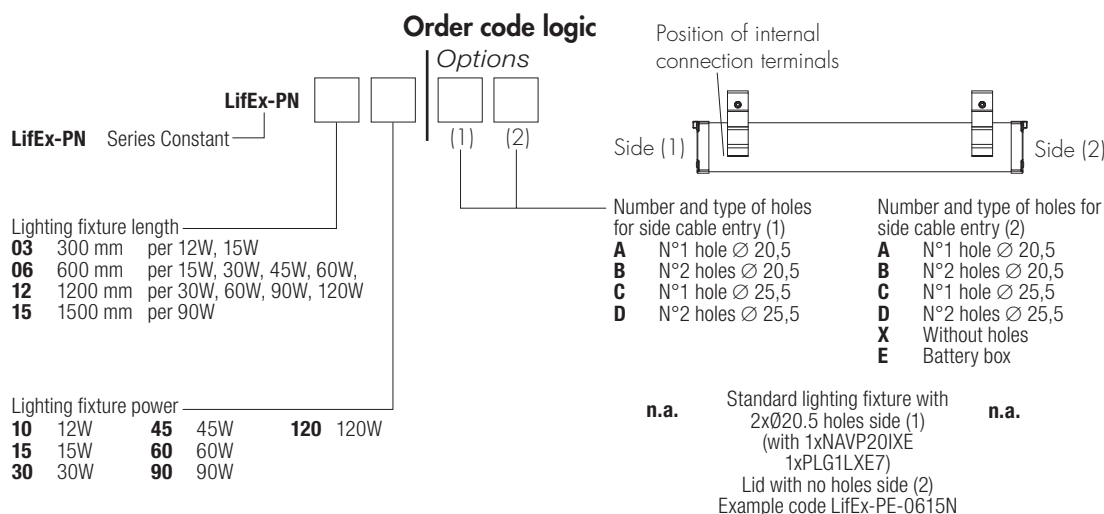
2-21-22

FEATURES AND BENEFITS

LifEx-PN series emergency lighting fixtures are the first native LED linear product with an innovative design developed by Cortem Group listening to and interpreting the needs of its customers.

A careful product architecture oriented to the optimal management of the total life cycle (circular economy) and to the maximization of the useful life has allowed to obtain a lighting fixture of reduced dimensions, light and easy to install, but robust and long-lasting at the same time.

- Extruded high-quality in polycarbonate and GRP headers Impact (IK09) and UV-resistant
- Transparent part, shock impact and UV resistant.
- Caps in aluminium fixed by means of four stainless steel screws.
- Bolts and screws in stainless steel.
- Standard power supply 100/277V, 220/240V 50/60Hz.
- Batteries Ni/Mh. Battery charging indicated by the green LED
- Available also in the models normal + emergency and only emergency (T. amb.-20°C +60°C)



Example:

LifEx-PN0630NAA Linear LED emergency lighting fixture with plastic enclosure, for zone 2, 21, 22, length 600mm with 30W power LED, rated voltage 220-240Vac and normal operation + emergency, with 1 holes Ø 20,5 on side (1) and 1 holes Ø 20,5 on side (2).

EXEL SERIES LIGHTING FIXTURES FOR FLUORESCENT TUBES



[Online catalogue](#)

PHASE-OUT



MARKING

Ex II 2GD - Ex de mb IIC T4 Gb - Ex tb IIIC T70°C, T80°C Db

DEGREE OF PROTECTION

IP66

STANDARD AMBIENT TEMPERATURE

-40°C +55°C

ZONE

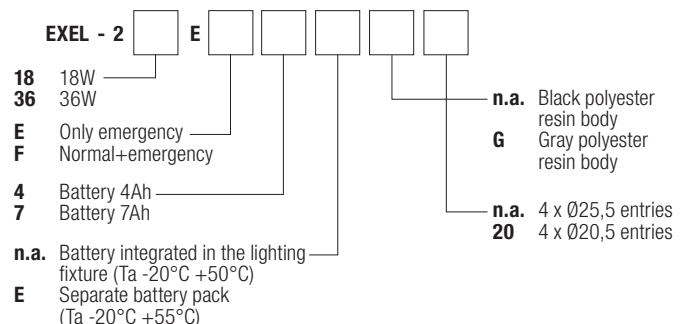
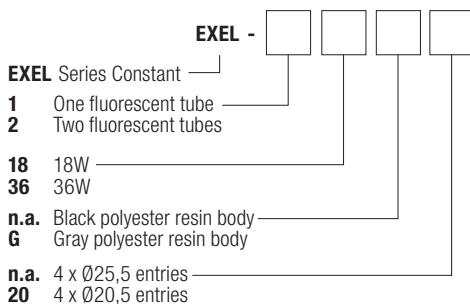
1-2-21-22

FEATURES AND BENEFITS

EXEL series increased safety bi-pin fluorescent lighting fixture have a electronic ballast system: if one of the tubes stops working, the other continues working independently. Furthermore, fluorescent tubes that reach the end of their working lives are safely monitored and switched off by means of the EOL (End-Of- Life) system. Thanks to the double ended through-wiring system, the installation is easy and fast. This ensures excellent protection against dust and water over time despite any degradation caused by ageing. EXEL...E series is fitted with a Ni-Cd battery and electronic inverter for use in emergency operation. The operating time under emergency operation of the single fluorescent tube can be selected depending on requirements and can last from a minimum of 90 minutes to a maximum of 200 minutes. A red LED warning light comes off if the battery needs to be replaced due to a short circuit or if the battery itself is dead.

- Body in antistatic GRP (glass reinforced polyester).
- VØ (UL 94) guaranteed self-extinguishing and UV resistant transparent polycarbonate cup.
- Internal frame in extruded aluminium.
- White internal reflector in PVC coated aluminium.
- Electronic ballast and safety switch.
- Screws and accessories in stainless steel AISI 316L.
- Standard power supply 110/240V 50/60Hz.

Order code logic



Example:

EXEL-218 Lighting fixture for two 18W fluorescent tubes, rated voltage 230Vac.

EXEL-236EF4EG20 Normal+emergency lighting fixtures for two 36W fluorescent tubes, separate emergency 4Ah battery pack, gray polyester resin body, 4xØ20,5 holes for entries.

EXEL-L SERIES LIGHTING FIXTURE WITH CORTEM RESIN-BONDED LED STRIPS



[Online catalogue](#)

PHASE-OUT



MARKING

Ex II 2GD Ex de mb op is IIC T6/T5 Gb;
Ex tb IIIC T49°C/T64°C Db

DEGREE OF PROTECTION

IP66

STANDARD AMBIENT TEMPERATURE

-40°C +55°C

ZONE

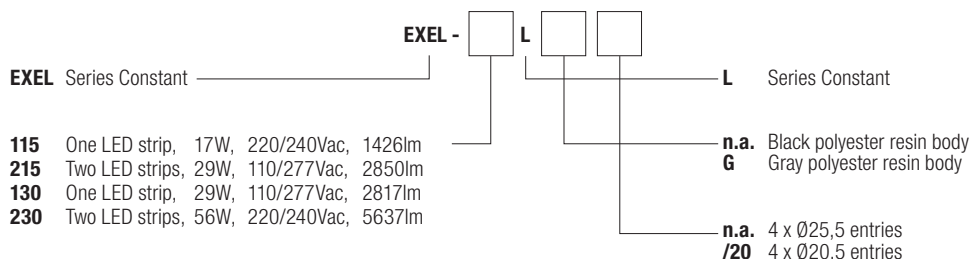
1-2-21-22

FEATURES AND BENEFITS

EXEL-L series increased safety lighting fixtures for Cortem resin-bonded LED strips are suitable to be installed in hazardous areas where a high degree of protection and resistance against corrosion is required. EXEL-L series is GRP made and features the 'Ex de mb' method of protection. It's equipped with LED tubes sealed in a transparent resin. The through wiring double ended makes installation on field easier and faster.

- Body in antistatic GRP (glass reinforced polyester).
- VØ (UL 94) guaranteed self-extinguishing and UV resistant transparent polycarbonate cup.
- Internal frame in extruded aluminium.
- White internal reflector in PVC coated aluminium.
- Safety switch.
- Sliding system operated by a hexagonal-head tool.
- Bolts and screws in stainless steel.
- Available also in the models normal + emergency (..EF.. code) and only emergency (..EE.. code) (Ta -20°C +50°C)

Order code logic



Example:

EXEL-215L/20 Lighting fixture with 29W LED strips, rated voltage 110-277 Vac and 4 x Ø20,5 entries

EXENC-L SERIES LIGHTING FIXTURES FOR LED STRIPS "INDUSTRIAL SERIES"



[Online catalogue](#)

PHASE-OUT



MARKING

Ex II 3GD Ex nA IIC T4 Gc - Ex tc IIIC T...°C Dc
Ex II 2D Ex tb IIIC T4°C Db - Ex tb op is IIIC T...°C Db

DEGREE OF PROTECTION

IP66

STANDARD AMBIENT TEMPERATURE

-40°C +47°C

ZONE

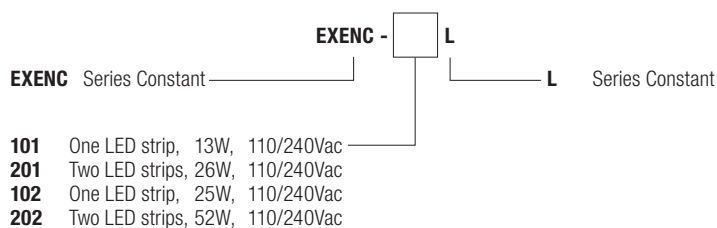
2-21-22

FEATURES AND BENEFITS

EXENC-L series lighting fixtures with LED strips can be installed in hazardous industrial plant units designated as Zone 2 and Zone 21-22. A careful research of the materials and the choice of the most performing electrical components give to EXENC-L, in addition to a considerable duration, greater safety in all environments where a high protection against corrosion, dust, water and humidity is required. They can be installed in both outdoor and indoor industrial environments such as refineries, petrochemical plants, rubber producing plants, paper mills, tunnels, galleries and, in general, in all those production processes where environmental conditions would deteriorate any other material and put the safety of the operating environment at risk.

- Body in black shock and UV resistant fibreglass reinforced anti-static polyester resin.
- Diffuser in transparent polycarbonate, shock and UV resistant.
- Acid/hydrocarbon resistant expanded silicone gasket.
- Inner frame/reflector in white painted steel.
- Bolts and screws in stainless steel.
- RAL 7035 polyester coating.
- Two steel brackets.
- Available also in the models normal + emergency (..EF.. code) and only emergency (..EE.. code) (-20°C +47°C)

Order code logic



Example:
EXENC-201L Lighting fixture with 26W LED strip, rated voltage 110-240Vac.



[Online catalogue](#)

PHASE-OUT



MARKING

Ex II 3GD Ex nA IIC T... Gc - Ex tc IIIC T... °C Dc

DEGREE OF PROTECTION

IP66

STANDARD AMBIENT TEMPERATURE

-20°C +50°C

ZONE

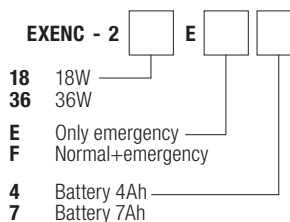
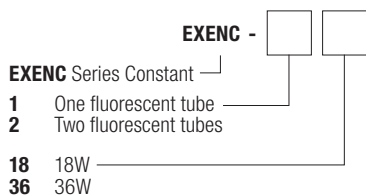
2-21-22

FEATURES AND BENEFITS

EXENC series fluorescent tube lighting fixtures can be installed in hazardous industrial plant units designated as Zone 2 and Zone 21-22. In a more general sense, they are used in all those production processes where environmental conditions would deteriorate any other material and put the safety of the operating environment at risk. They are fitted with an electronic ballast system (RV series) for G13 bi-pin fluorescent tubes and can be supplied for either standard or emergency illumination. EXENC series lighting fixtures are easy to install and have a high degree of reliability thanks to the EOL Protected system that allows one fluorescent tube to stop working in safety. EXENC lighting fixtures have been designed to be connected in series thus simplifying installation and doing away with the need for junction boxes. The replacement of the battery, due to a fault in the emergency circuit or due to its depletion, is indicated by the turning off of the red LED.

- Body in black shock and UV resistant fibreglass reinforced anti-static polyester resin.
- Diffuser in transparent polycarbonate, shock and UV resistant.
- Acid/hydrocarbon resistant expanded silicone gasket.
- Inner frame/reflector in white painted steel.
- Stainless steel bolts and screws.
- 2 x Ø25.5 entries (suitable for ISO M25 threads).

Order code logic



Example:

EXENC-218 Lighting fixture for two 18W fluorescent tubes, rated voltage 220-240Vac.

EXENC-236EF4 Normal+emergency lighting fixtures for two 36W fluorescent tubes, emergency unit 4Ah, rated voltage 220-240Vac.

SLED SERIES LED FLOODLIGHTS



[Online catalogue](#)



MARKING

Ex II 2GD Ex de IIB+H2 T5/T6 Gb;
Ex tb IIIC T100°C T85°C Db

DEGREE OF PROTECTION

IP66

STANDARD AMBIENT TEMPERATURE

-20°C +60°C

ZONE

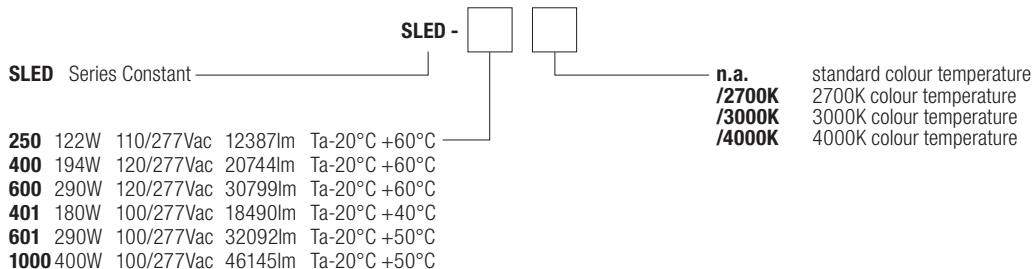
1-2-21-22

FEATURES AND BENEFITS

SLED series floodlights with LED technology combine lightweight, compact design, high performance in terms of reliability, safety, efficiency and energy saving. The SLED-250, 400 and 600 models are characterized by LEDs with optics "square shaped beam" that permits a light distribution and a perfectly uniform lighting in every direction. On the other hand, the SLED-401, 601 and 1000 have no reflector optics and are characterized by a diffused light beam and greater Lumen Output.

- Aluminium alloy body with low copper content.
- Frontal tempered glass.
- Optics reflector type "square shaped beam" (SLED-250, 400, 600).
- Galvanized steel bracket.
- Bolts and screws in stainless steel.
- RAL 7035 polyester coating.

Order code logic



Example:

SLED-250/2700K LED floodlight with 122W power LED, rated voltage 110-277 Vac, 12387 lm and 2700K colour temperature.

EVL SERIES LED FLOODLIGHTS



[Online catalogue](#)



MARKING

Ex II 2GD Ex db eb op is IIC T.. Gb;
Ex tb op is IIIC T..°C Db

DEGREE OF PROTECTION

IP66

STANDARD AMBIENT TEMPERATURE

-40°C +60°C

ZONE

1-2-21-22

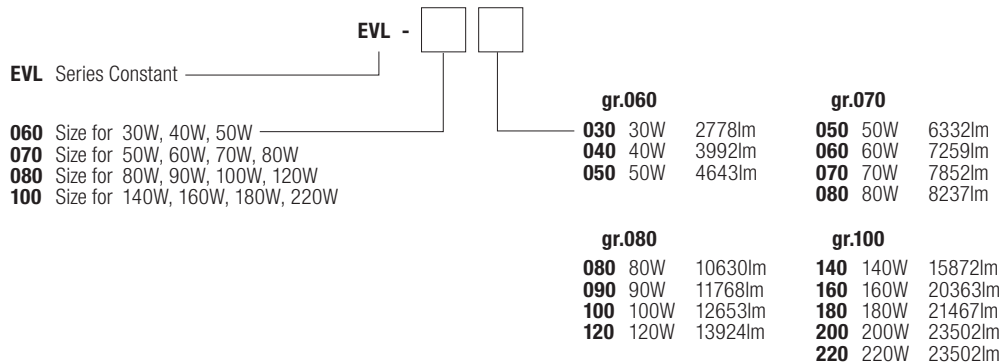
FEATURES AND BENEFITS

The LED EVL series floodlights combines a light and compact design with great versatility, ease of installation and high lighting performance thanks to high intensity and efficiency LED plates which may be combined along with lens available with light beam with different shades.

Furthermore, the air particles around the floodlight do not ionize, an intrinsic characteristic of LED technology that limits the attraction of dust and insects thanks to the absence of UV emission. EVL series floodlights can be powered through an electric cable and a simple 'Ex e' cable gland (no barrier).

- Four sizes of lighting systems: EVL-060, EVL-070, EVL-080, EVL-100.
- New supply voltages available (from 120 Vac to 277 Vac).
- 2 x ISO M20 entries. Fixture kit with PLG11B plug and NAV20SIB cable gland.
- Shock resistant tempered glass.
- Bolts and screws in stainless steel.
- RAL 7035 polyester coating.
- Strip Lenses model made of polycarbonate for optoelectronic components. High efficiency, vibration resistant, collimation with NJCTM Technology (No Joint Construction).
- Standard 40° light angle beam.

Order code logic



Example:

EVL-060050 LED Floodlight 50W power LED, rated voltage 120-277 Vac,.

EVNL SERIES LED FLOODLIGHTS FOR ZONE 2, 22



[Online catalogue](#)



MARKING

Ex II 3GD Ex nR IIC T.. Gc
Ex tc IIIC T.. °C Dc

DEGREE OF PROTECTION

IP66

STANDARD AMBIENT TEMPERATURE

-40°C +60°C

ZONE

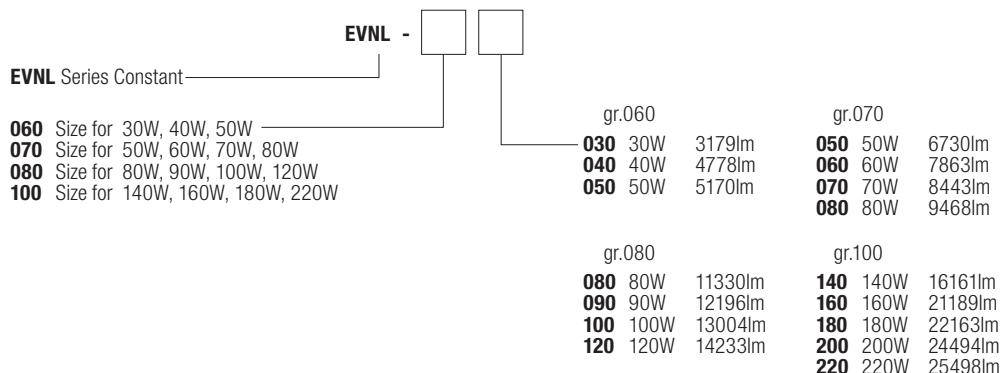
2-22

FEATURES AND BENEFITS

EVNL series floodlights, suitable for plants in zone 2 and 22, keeping cost reductions at the foreground, improving the quality of the product and increasing the lighting solution specifications. The advantage of the EVNL is the implementation of the "Ex nR" version combined with the "Ex op is" which classifies the equipment as a restricted breathing device with certified optical safety. The careful design, together with the meticulous choice of materials to seal the lighting fixture, limits the entry of flammable gases, vapours or mists during normal operation of the lighting fixture.

- Multi LED plate.
- Replaces traditional discharge lamps exceeding 400W.
- Low copper content aluminium alloy body and ring.
- High efficiency electronic ballast multi voltage.
- 2 ISO M20 entries. Fixture complete with a PLG11LXE7 plug and NAV20SIB cable gland.
- Transparent front cover high temperature and shock resistant tempered glass or polycarbonate.
- Bolts and screws in stainless steel.
- RAL 7035 polyester coating.
- Strip Lenses model made of polycarbonate for optoelectronic components. High efficiency, vibration resistant, collimation with NJCTM Technology (No Joint Construction).
- Standard 40° light angle beam.

Order code logic



Example:

EVNL-100160 LED floodlight fixture for zone 2,22 with 160W power LED.

TIGER SERIES RECTANGULAR FLOODLIGHTS



[Online catalogue](#)



MARKING

Ex II 3GD Ex nR IIC T3, T2 Gc; Ex tc IIIC T145°C ÷ T210°C Dc

DEGREE OF PROTECTION

IP66

STANDARD AMBIENT TEMPERATURE

-25°C +60°C

ZONE

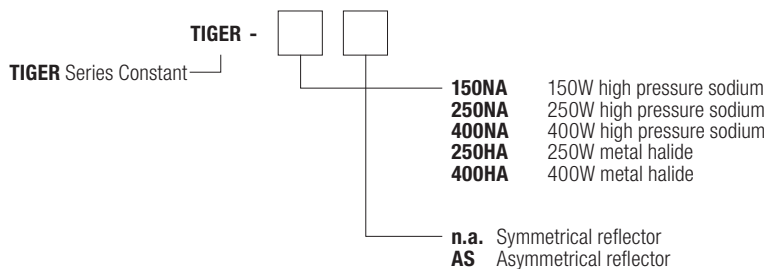
2-22 (21)

FEATURES AND BENEFITS

TIGER series floodlights have been manufactured and tested in compliance with European standards for use in hazardous areas classified as Zone 2 due to the presence of gases and as Zone 22 for the presence of dusts. When fitted with a symmetrical internal reflector, they are ideal for lighting large areas and, when fitted with an asymmetrical reflector, they provide a concentrated beam of light exactly where it is required. Their IP66 degree of protection and excellent performance at high (+60°C) and low (-50°C) temperatures makes TIGER floodlights ideal for all those settings where climatic conditions are extreme. Wiring is greatly facilitated by the use of specially designated terminals that speed up installation and prevent wrong connections. The electrical components are easily accessed (ballast, capacitor, igniter) and are pre-wired to the terminal board this reducing maintenance time and installation costs.

- Aluminium die-cast body (EN AB 46100).
- Standard power supply 230V 50/60Hz.
- Tempered glass cover.
- Wiring through silicone rubber cables with glass braid.
- Silicone gaskets.
- Symmetric or asymmetric reflectors in oxidized and polished aluminium plate 99.85.
- RAL 7035 polyester coating.
- Galvanized steel with index for tracking goniometer.

Order code logic



Example:

TIGER-150NAAS Floodlight for 150W high pressure sodium with asymmetrical reflector.

FHL SERIES HAND-HELD INSPECTION LAMP



[Online catalogue](#)



MARKING

Ex II 2GD Ex e mb IIC T.. Gb - Ex tb IIIC T.. °C Db IP66

DEGREE OF PROTECTION

IP66

STANDARD AMBIENT TEMPERATURE

-40°C +50°C

ZONE

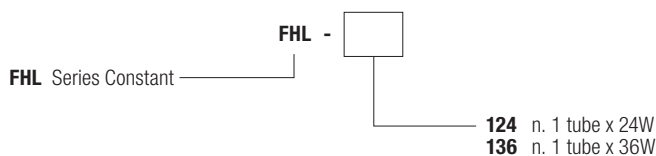
1-2-21-22

FEATURES AND BENEFITS

FHL series hand-held lamps for compact fluorescent tubes of 24/36W are designed for the inspection and maintenance work in all those potentially explosive places with presence of gas and dust. Thanks to their special construction, FHL series lamps are rugged, easy to handle with a high degree of protection and great lighting performance. Thanks to the energy saving Philips master PL fluorescent tubes, the FHL series also provides an excellent colour rendering index in any position and operating temperature.

- Heads and handle made of low copper content aluminium alloy.
- Polycarbonate external tube.
- Stainless steel 316L guard.
- Silicone gaskets.
- Bolts, screws and hook in stainless steel.
- Standard voltage 24 Vdc, 50/60Hz.
- N.1 entry 1/2" NPT threaded with NAV1NB cable gland for non-armored cable.
- RAL 7035 polyester coating.

Order code logic



Example:

FHL-136 Hand-held inspection lamp for fluorescent tube from 36W.

LHL-...P SERIES LED HAND-LAMP



[Online catalogue](#)



MARKING

Ex II 2 G Ex e mb IIC T5/T4 (Gb)
Ex II 2 D Ex mb IIIC T95°C/T130°C (Db)

DEGREE OF PROTECTION

IP66

STANDARD AMBIENT TEMPERATURE

-20°C +50°C

ZONE

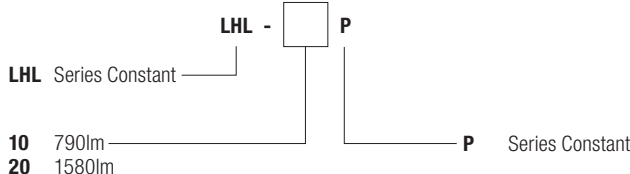
1-2-21-22

FEATURES AND BENEFITS

The hand-lamp LHL-P... series for LED tubes of 9/17 Watt have been designed for the work of inspection and maintenance in all those potentially explosive places for the presence of gas and dust as petrochemical industries, off-shore facilities, the areas of tank control and the process areas. They are robust and easy to handle at the same time with a high degree of IP protection and excellent performance in light output.

- Polycarbonate tube V0 (UL94) resistant to shock and UV rays.
- Mounting with stainless steel hook.
- Cable H07RN-F 2x1 mm² lenght 5m.
- Cable gland model UNIO1 in polyammide.

Order code logic



Example:
LHL-10P LED hand-lamp with 790lm.

EVML-50P HAND-HELD LED LIGHTING FIXTURE



[Online catalogue](#)



MARKING

II 2GD Ex eb mb op is IIC T.. Gb - Ex tb op is IIIC T.. °C Db

DEGREE OF PROTECTION

IP66

STANDARD AMBIENT TEMPERATURE

-40°C +60°C

ZONE

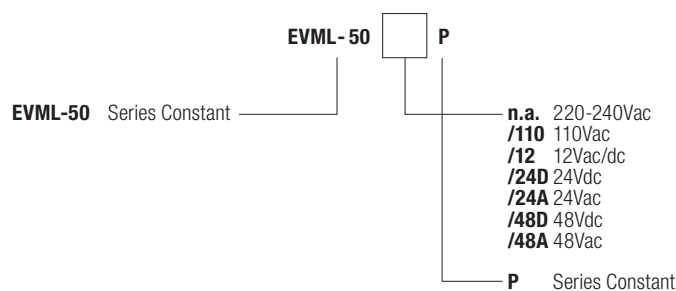
1-2-21-22

FEATURES AND BENEFITS

The LED EVML-50P hand-held lighting fixture, powered with cable, has been designed to be used mainly in inspection and maintenance activities on industrial plants, in tanks and in all those places where there is a potentially dangerous atmosphere formed by gas and dust. The EVML-50P series hand-held lighting fixture is characterized by a non-slip handle and a high degree of body strength combined with excellent light performance. A further peculiarity of this hand-held lighting fixture is the possibility of being powered with different voltages at 12, 24, 48, 110 and 220 V ac/dc for a wider use.

- Low copper content aluminium alloy fitted with cooling fins for better heat dissipation.
- Polyester coating Ral 7035.
- Shock and temperature resistant tempered glass.
- Non-slip black handle.
- High corrosion resistance.
- Suitable for offshore / onshore environments.
- Easy connection.
- Cable gland for non-armored cable NAV20IB, cable range 6.5 ÷ 14.

Order code logic



Example:
EVML-50/24DP Hand-held lighting fixture, rated voltage 24 Vdc.

LFED EMERGENCY LED LIGHTING FIXTURES



[Online catalogue](#)



MARKING

Ex II 2GD Ex db op is IIB+H2 T6 Gb - Ex tb op is IIIC T72°C Db

DEGREE OF PROTECTION

IP66

STANDARD AMBIENT TEMPERATURE

-60°C +60°C (T6)

ZONE

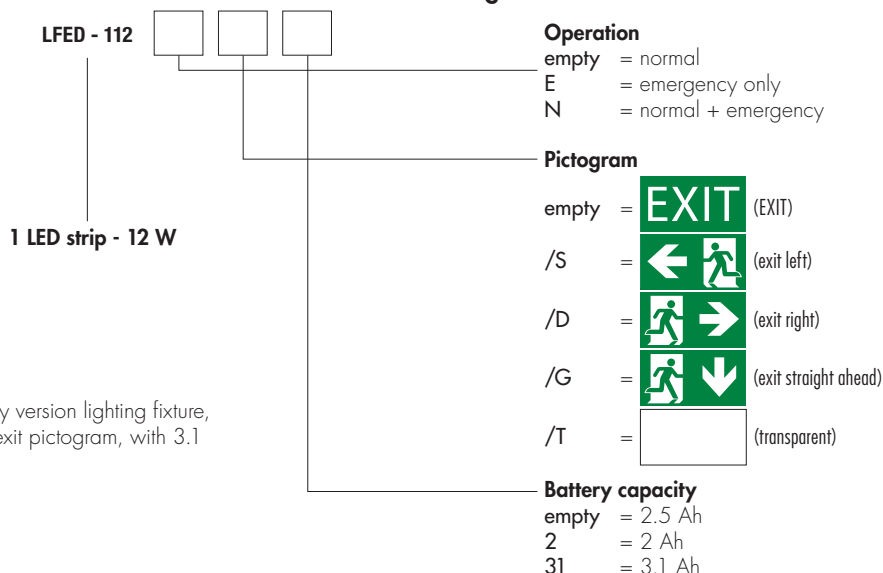
1-2-21-22

FEATURES AND BENEFITS

The explosion-proof LFED series emergency lighting fixtures are designed for lighting and identifying emergency exits or escape routes in the event of danger. The emergency versions are fitted with a high-brightness LED indicator light that monitors battery operation and notifies the user in the event of a fault. It switches on automatically if there is a power failure, and lasts between 3 and 5 hours depending on the capacity of the chosen batteries. The red LED switches off to indicate that the batteries need replacing either because of a fault in the emergency circuit or because they are flat.

- Low copper content aluminium alloy.
- Front glass tempered, resistant to high temperatures and shocks.
- Gasket in silicone resistant to acids, hydrocarbons and high temperatures.
- Screws, bolts and nuts in stainless steel.
- Fastening brackets in electrogalvanized steel.
- N.2 entry points ISO M20.
- Fixture complete with a PLG11B plug and NAV20SIB cable gland.
- Polyester coating RAL 7035.

Order code logic



Example:

LFED-112N/G31
Normal + emergency version lighting fixture,
with straight ahead exit pictogram, with 3.1
Ah batteries.



[Online catalogue](#)



MARKING

Ex II 2GD Ex db eb mb op is IIC T... Gb - Ex tb op is IIIC T... °C Db

DEGREE OF PROTECTION

IP66

STANDARD AMBIENT TEMPERATURE

-30°C +55°C (T5)

ZONE

1-2-21-22

FEATURES AND BENEFITS

The explosion-proof LFEE series emergency lighting fixtures are designed for lighting and identifying emergency exits or escape routes in the event of danger. The emergency versions are fitted with a high-brightness LED indicator light that monitors battery operation and notifies the user in the event of a fault. It switches on automatically if there is a power failure and runs for up to 6 hours. The red LED switches off to indicate that the batteries need replacing either because of a fault in the emergency circuit or because they are flat.

- Body and lid in stainless steel AISI 316L.
- Front tempered glass or polycarbonate.
- Gaskets resistant to acid, hydrocarbon and high temperatures, positioned between the body and the lid.
- Screws, bolts and nuts in stainless steel.
- N. 4 fastening brackets in stainless steel AISI 316L.
- N. 2 entry points Ø20.5.
- Fixture complete with a PLG11B plug and NAV20SIB cable gland.

Order code logic






LFEE - 112

1 LED strip - 12 W

Operation

- empty = normal
- E = emergency only
- N = normal + emergency

Pictogram

- empty =  (EXIT)
- /S =  (exit left)
- /D =  (exit right)
- /G =  (exit straight ahead)
- /T =  (transparent)

Battery capacity

- empty = 2.5 Ah
- 2 = 2 Ah
- 31 = 3.1 Ah

Example:

LFED-112N/G31

Normal + emergency version lighting fixture, with straight ahead exit pictogram, with 3.1 Ah batteries.



[Online catalogue](#)



MARKING

Ex II 2GD Ex db eb op is IIC T4 Gb; Ex tb op is IIIC T110°C Db IP66

DEGREE OF PROTECTION

IP66

STANDARD AMBIENT TEMPERATURE

-40°C +60°C (T6)

ZONE

1-2-21-22

FEATURES AND BENEFITS

XLFE-LIB series low intensity lighting fixtures are suitable to be installed on towers or high buildings as obstacle signalling devices at night thanks to the high power and luminous efficiency light source developed by Cortem Group. The XLFE-LIB lighting fixture, red in color with a luminous intensity of more than 32 candles, complies with the ICAO Annex 14 standard for low intensity aviation warning lamps type B (corresponding to the FAA L-810). Type B low intensity obstacle warning lights are designed for buildings with low extension and height above the ground of less than 45 meters. The XLFE-LIB series can be supplied to satisfy also the requests for obstacle warning lights low intensity type A since satisfies the photometric and light intensity requirements. They are also available for industrial signalling in flashing operation and with different light colors upon request. It is equipped with an internal reflector in chromium-plated anticorodal aluminium alloy.

- Body in low copper content aluminium alloy.
- Globe in shock and temperature resistant borosilicate glass sealed with aluminium shade ring.
- Internal reflector in chromed aluminium.
- Silicone acid/hydrocarbon and high temperatures resistant gaskets.
- Heat dissipater internally fitted in extruded aluminium.
- 4 x LEDs fitted to electronic plate with single circuit.
- Complies with ICAO, FAA.

Order code logic



Example:
XLFE-LIB-R230F

Low intensity LED obstruction lighting fixture 'Ex de' version with red, flash light at 100-240 Vac

XLFE-MIB MEDIUM INTENSITY LED OBSTRUCTION LIGHTING FIXTURES



[Online catalogue](#)



MARKING

Ex II 2GD Ex db eb op is IIC T4 Gb; Ex tb op is IIIC T110°C Db

DEGREE OF PROTECTION

IP66

STANDARD AMBIENT TEMPERATURE

-40°C +60°C (see code logic for details)

ZONE

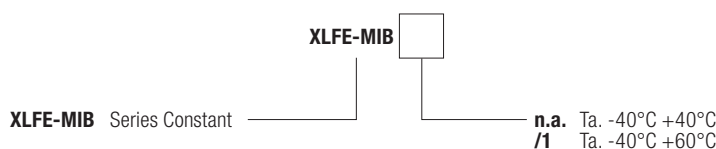
1-2-21-22

FEATURES AND BENEFITS

The red XLFE-MIB series medium intensity lighting fixtures, with an intensity of more than 2.000 candles and flashing operation, complies with the requirements of the ICAO Annex 14 for aviation obstruction warning lights of medium-intensity B type (corresponding to the FAA type of initials L- 864). The XLFE-MIB series has been designed for Zone 1 with an 'Ex db' optical source. The particular design avoids any type of optical error typical of the glass globes. As required by the ICAO regulations, the XLFE-MIB series has a flashing operation, standard at 20 fpm, upon request at 40 fpm. The light source also complies with EN/IEC 60079-28 standard ("op is" protection).

- Body in low copper content aluminium alloy fitted with cooling fins for better heat dissipation.
- Glass face in shock and temperature resistant borosilicate glass sealed with aluminium shade ring Internal reflector in chrome-plated aluminium.
- Silicone acid/hydrocarbon and high temperatures resistant gaskets.
- Complies with ICAO, FAA.
- Power supply 110-121Vdc.

Order code logic



Example:

XLFE-MIB/1 Medium intensity LED obstruction lighting fixture, with flash red light colour and ambient temperature -40°C +60°C.

XLFE-MIA MEDIUM INTENSITY LED OBSTRUCTION LIGHTING FIXTURES



'Ex op is'
safe optical radiation



[Online catalogue](#)



MARKING

Ex II 2GD Ex db eb op is IIC T4 Gb; Ex tb op is IIIC T1 10°C Db

DEGREE OF PROTECTION

IP66

STANDARD AMBIENT TEMPERATURE

-40°C +60°C (see code logic for details)

ZONE

1-2-21-22

FEATURES AND BENEFITS

XLFE-MIA series medium intensity LED Obstruction lighting fixtures can be installed in hazardous areas of industrial plants classified as Zone 1, Zone 2, Zone 21, Zone 22.

The white color XLFE-MIA, with an intensity greater than 20,000 candles in daytime operation and greater than 2,000 candles in night-time operation, complies with ICAO annex 14 for aviation obstruction warning lights of medium-intensity type A (corresponding to the FAA type of initials L-865).

The XLFE-MIA series has been designed for Zone 1 with an 'Ex db' optical source. The particular design avoids any type of optical error typical of the glass globes. The lamp body performs both the function of explosion protection and heat sink, thus avoiding the use of resin-coated optics, which are subject to deterioration over time.

- Body in low copper content aluminium alloy fitted with cooling fins for better heat dissipation.
- Anodic oxidation surface treatment suitable for structural parts with high corrosion resistance requirements.
- Glass face in shock and temperature resistant borosilicate glass sealed with aluminium shade ring Internal reflector in chrome-plated aluminium.
- Silicone acid/hydrocarbon and high temperatures resistant gaskets.
- Complies with ICAO, FAA.

Order code logic



Example:
XLFE-MIA

Medium intensity LED obstruction lighting fixture, with flash red light colour and ambient temperature -40°C +60°C.



[Online catalogue](#)



MARKING

Ex II 2GD Ex d IIC T6 Gb - Ex tb IIIC T85°C Db

DEGREE OF PROTECTION

IP66

STANDARD AMBIENT TEMPERATURE

-20°C +55°C (T6)

ZONE

1-2-21-22

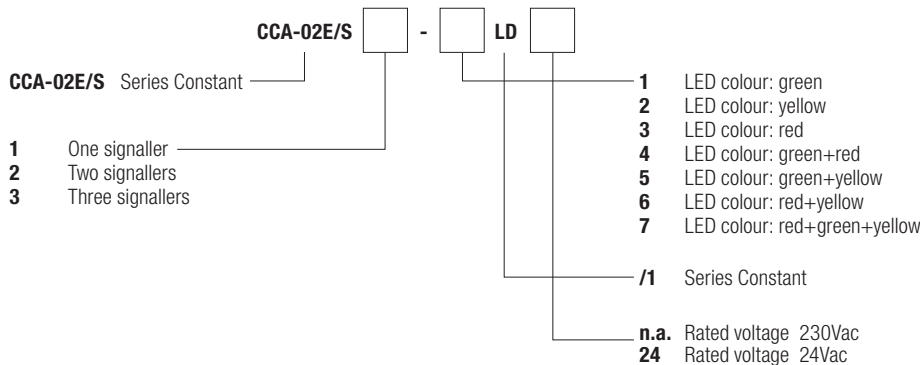
FEATURES AND BENEFITS

CCA-02E/S...LD series traffic light system is suitable for regulating traffic in chemically aggressive industrial environments or potentially explosive areas classified as Zone 1 - 2 - 21 or 22.

The benefits offered by the CCA-02E/S...LD system are as follows: lower maintenance costs, better visibility in critical conditions thanks to the LED lamps, better reliability thanks to the guaranteed continuous light even if one LED fails and, lastly, the lack of any "phantom" effect.

- Body low copper content aluminium alloy.
- Aluminium ring nut with tempered glass.
- Externally, Fresnel lens and colored part in transparent polycarbonate.
- Protective plate in galvanized steel RAL 1003 painted.
- Connecting terminal board and LED plate with electronic converter fixed on the aluminium internal frame.
- Internal and external screw in stainless steel.

Order code logic



Example:
CCA-02E/S2-4LD24 LED traffic lights with green and red signaller, rated voltage 24Vdc.

TL SERIES LED TRAFFIC LIGHTS WITH WI-FI SYSTEM



[Online catalogue](#)



MARKING

Ex II 2GD Ex d IIC T6 Gb - Ex tb IIIC T... Db

Ex II2(1)GD - Ex db [ia Ga] IIB+H2 T... Gb - Ex tb IIIC T... °C Db

DEGREE OF PROTECTION

IP66/67

STANDARD AMBIENT TEMPERATURE

-20°C +55°C (T6)

ZONE

1-2-21-22

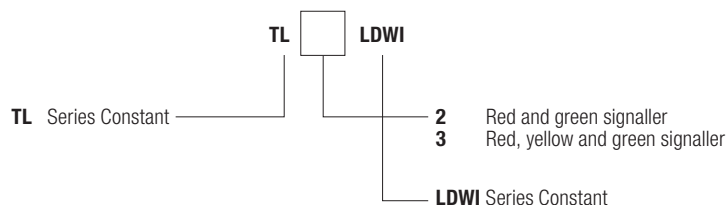
FEATURES AND BENEFITS

The Wi-Fi traffic light arose from the need to control dangerous roadway junctions, harnessing the technology of RF (radio frequency) communication.

It is common knowledge that individual units must communicate with one another for the purpose of coordinating the correct light colour to display to flowing traffic. The use of RF technology eliminates the need to dig up the road surface in order to "bury" the cables and/or sensors required in the systems used today.

- EJB-1A housings acts as the control panel.
- Frequency range of the external antenna 2400-2500MHz.
- Body low copper content aluminium alloy.
- Aluminium ring nut with tempered glass.
- Externally, Fresnel lens and colored part in transparent polycarbonate.
- Available with 2 or 3 lights.

Order code logic



Example:
TL2LDWI

Traffic light units with Wi-Fi system with red and green signaller.



[Online catalogue](#)



MARKING

II 2GD Ex eb mb op is IIC T.. Gb - Ex tb op is IIIC T.. °C Db

DEGREE OF PROTECTION

IP66

STANDARD AMBIENT TEMPERATURE

-40°C +60°C (T5/T4)

ZONE

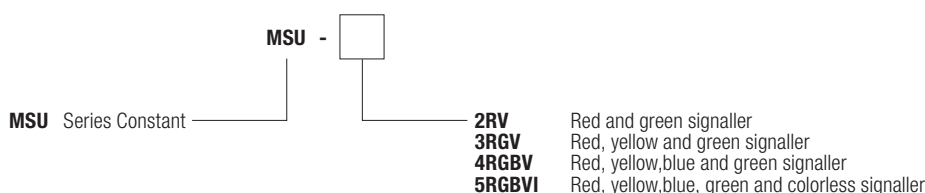
1-2-21-22

FEATURES AND BENEFITS

The MSU series LED signalling lighting equipment is designed to be used in hazardous areas as indicator of dangers and for any communication need, replacing also acoustic signals. It is a multi-unit device formed by a metal sheet base, fixable on walls, poles, by the EVML-50/G signalling lighting equipment and by an 'Ex e' aluminum junction box SA series. The EVML-50/G LED signalling lighting equipment are available with a globe of different colours: blue, red, green, amber and clear.

- Pre-wired ready to use multi-signalling unit.
- Coating RAL7035.
- Suitable for offshore/onshore & harsh environments.
- 'Ex e' termination area.
- Quick and easy to terminate.
- Cablegland NAV16IB, range cable 6 ÷ 14.
- High ingress protection IP66.
- Light enhancing lens, 5 colour options.
- Up to 5 beacon positions.
- Power supply: 230 Vac.
- Rated frequency: 50-60 Hz.
- Lumen (single signal lamps): 1032 lm.
- Max. light intensity (single signal lamps): 385 cd

Order code logic



Example:
MSU-3RGV LED signalling lights with red, yellow and green signaller, rated voltage 230 Vac.

EJB SERIES ALUMINIUM JUNCTION BOXES GAS GROUP IIB+H₂



[Online catalogue](#)



MARKING

Ex II 2GD Ex db IIB+H₂ T.. Gb; Ex tb IIIC T..°C Db

Other certificates available on www.cortemgroup.com website

DEGREE OF PROTECTION

IP66/67

STANDARD AMBIENT TEMPERATURE

-20°C +40°C

(special temperature: -60°C +60°C)

ZONE


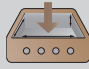
1-2-21-22

FEATURES AND BENEFITS


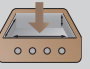

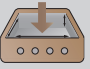
EJB series junction boxes are suitable for installation in any areas of a plant where there is a risk of explosion and/or fire, or areas where combustible dust is present, classified as Zone 1, 2, 21, 22. The quality of this product is recognized and valued the world over for its specific aluminium alloy and the mechanical property of its finishes. The EJB series is mostly used as a box to carry terminals and busbars, fuse carriers, transformers, reactors and barriers, though it is also used to produce control and signalling boards, light and power boards and surge arresters, and motor starter boxes with various configurations, which are custom made to the requirements of our customers worldwide.

- Body and lid in low copper content aluminium alloy.
- Stainless steel cover bolts.
- Internal/external earth screws.
- RAL 7035 epoxy coating.
- Galvanized steel mounting brackets.
- Silicon gasket.
- Cast (except for EJB-01), stainless steel for new models.
- Body and cover can be drilled and threaded according to customers specification.

SELECTION CHART FOR ENCLOSURES WITH RIBBED LIDS

Code	Weight Kg	 mm	 mm
EJB-1	9,4	304x204x218	240x140x160
EJB-2	13,6	424x224x218	360x160x159
EJB-3	17	364x284x278	300x220x214
EJB-3B	14,2	364x284x218	300x220x154
EJB-7	248	1000x700x500	890x590x340
EJB-7B	210	1000x700x400	890x590x240
AQS-1	31,5	500x450x207	430x380x127

SELECTION CHART FOR ENCLOSURES WITH SOLID LIDS

Code	Weight Kg	 mm	 mm	Code	Weight Kg	 mm	 mm
EJB-01	5,6	282x182x105	214x113x60	EJB-48BA	37,5	507x432x271	435x360x203
EJB-1A	10,3	304x204x218	240x140x153	EJB-5	51	632x432x341	560x360x275
EJB-2A	15,4	424x224x218	360x160x153	EJB-5B	43,4	632x432x271	560x360x205
EJB-3A	19,4	364x284x278	300x220x213	EJB-503	59,2	632x432x397	560x360x330
EJB-3BA	16,4	364x284x218	300x220x153	EJB-55	81,3	710x510x356	630x430x273
EJB-4	25,4	432x332x293	360x260x233	EJB-55B	66,9	710x510x256	630x430x173
EJB-4B	21,4	432x332x223	360x260x163	EJB-6	158,4	870x650x480	760x540x353
EJB-45	38,9	567x387x298	490x305x229	EJB-6B	138,5	870x650x380	760x540x253
EJB-45B	35,3	567x387x248	490x305x179				

EJBX SERIES STAINLESS STEEL JUNCTION BOXES GAS GROUP IIB+H₂



[Online catalogue](#)



MARKING

Ex II 2GD Ex db IIB+H₂ T.. Gb; Ex tb IIIC T..°C Db

Ex I M2; Ex db I Mb

Other certificates available on www.cortemgroup.com web site

DEGREE OF PROTECTION

IP66/67

STANDARD AMBIENT TEMPERATURE

-20°C +40°C

(special temperature: -60°C +60°C)

ZONE

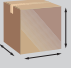
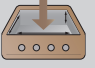
1-2-21-22

FEATURES AND BENEFITS

The EJBX enclosures are made from welded 316L sheet stainless steel. These units are mostly used as junction boxes with relevant connection terminals, as enclosures for fuses, transformers and reactors, as monitoring and signalling boards, light and power boards or motor starter boxes with various configurations, which are custom made to the requirements of our customers worldwide.

- Body and lid in AISI 316L stainless steel.
- Hinges lost-wax cast and welded onto enclosure.
- Lid handle: made of black painted steel for EJBX-55,55B, EJBX-6,6B e EJBX-7, made of black painted plastic for all other models.
- Fixing lugs.
- Quartz sand blasting treatment.
- Silicon gasket.
- Stainless steel cover bolts.

Code	Weight Kg	 mm	 mm
EJBX-01	20	272x212x166	200x140x123
EJBX-01B	18	272x212x142	200x140x100
EJBX-1	25	312x212x201	240x140x155
EJBX-2	37	432x232x201	360x160x155
EJBX-3	45	372x292x201	300x220x215
EJBX-3B	38	372x292x201	300x220x155
EJBX-4	65	432x332x284	360x260x235
EJBX-4B	57	432x332x214	360x260x165
EJBX-45	92	562x382x284	490x310x232

Code	Weight Kg	 mm	 mm
EJBX-45B	90	562x382x234	490x310x188
EJBX-5	120	632x432x324	560x360x275
EJBX-5B	107	632x432x254	560x360x205
EJBX-55	170	710x510x318	610x410x255
EJBX-55B	150	710x510x218	610x410x155
EJBX-6	268	860x640x409	760x540x345
EJBX-6B	235	860x640x309	760x540x245
EJBX-7	310	1000x700x338	900x600x275

CCA-...E SERIES ALUMINIUM JUNCTION BOXES GAS GROUP IIC



[Online catalogue](#)



MARKING

Ex II 2GD Ex db IIC T... Gb; Ex tb IIIC T...°C Db

Other certificates available on www.cortemgroup.com web site

DEGREE OF PROTECTION

IP66

STANDARD AMBIENT TEMPERATURE

-20°C +40°C

(special temperature: -60°C +150°C)


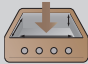
ZONE

1-2-21-22

FEATURES AND BENEFITS

The CCA...E series junction boxes are recommended for fitting with terminals given that they provide more room, making it easier for operators to gain access. On the other hand, the smaller wall area means drilling options are limited. They are suitable for installation in any plants where there is a risk of explosion and/or fire, or areas where combustible dust is present, classified as Zone 1, 2, 21, 22. The quality of this product is recognized and valued the world over for its specific aluminium alloy and the mechanical properties of its finishes. The CCA...E series is employed where group IIC gases are present and is mostly used as a box to carry terminals, fuse carriers, transformers, reactors and barriers, though it is also used to produce control and signalling boards, light and power boards and motor starter boxes with different configurations, which are specially custom made to the requirements of our customers worldwide.

- Body and cover in low copper content aluminium alloy.
- Internal/external stainless steel earth screws.
- Fixing lugs.
- Internal/external earth screws.
- RAL 7035 polyester coating.
- Silicon gasket.

Code	Weight Kg	 mm	 mm
CCA-0E	2,1	146x146x133	104x104x75
CCA-01E	2,6	170x170x135	121x121x75
CCA-02E	4,9	220x220x159	171x171x83
CCA-03E	8,7	270x270x230	216x216x140
CCA-04E	25	410x410x294	353x353x156

CCA...C SERIES ALUMINIUM JUNCTION BOXES GAS GROUP IIC



[Online catalogue](#)



MARKING

Ex II 2GD Ex db IIC T... Gb; Ex tb IIIC T..°C Db

Other certificates available on www.cortemgroup.com web site

DEGREE OF PROTECTION

IP66

STANDARD AMBIENT TEMPERATURE

-20°C +40°C

(special temperature: -60°C +150°C)

ZONE


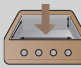
1-2-21-22

FEATURES AND BENEFITS

CCA...C series boxes feature a cylindrical coupling joint, so that they can be equipped with control devices and a hinged cover.

The CCA...C series is mostly used to produce control and signalling boards, light and power boards and motor starter boxes with different configurations, which are specially custom made to the requirements of our customers worldwide.

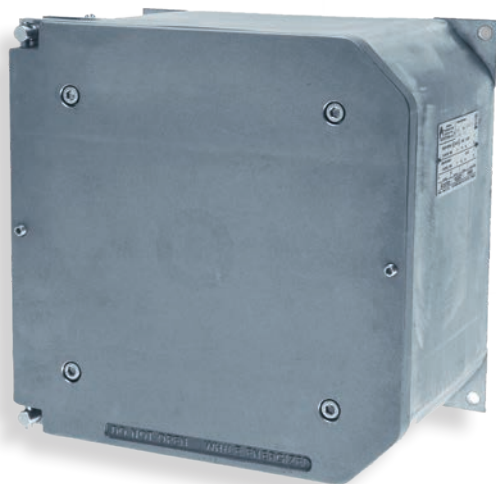
- Body and cover in low copper content aluminium alloy. Lid fitted with hinges for body coupling system incorporating cylindrical joint.
- Hinges in stainless steel.
- Internal/external stainless steel earth screws.
- Fixing lugs.
- Internal/external earth screws.
- RAL 7035 polyester coating.
- Silicon gasket.

Code	Weight Kg	 mm	 mm
CCA-0C	3,3	146x146x150	104x104x122
CCA-01C	4,0	170x170x149	121x121x113
CCA-02C	6,8	212x212x160	171x171x130
CCA-03C	11,7	260x260x223	216x216x185
CCA-04C	32,2	410x410x262	353x353x200

CCAI SERIES STAINLESS STEEL JUNCTION BOXES GAS GROUP IIC



[Online catalogue](#)



MARKING

Ex II 2GD Ex db IIC T... Gb; Ex tb IIIC T..°C Db
Ex I M2; Ex db I Mb

Other certificates available on site www.cortemgroup.com web site

DEGREE OF PROTECTION

IP66

STANDARD AMBIENT TEMPERATURE

-20°C +40°C

(special temperature: -60°C +150°C)


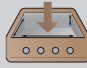
ZONE

1-2-21-22

FEATURES AND BENEFITS

CCAI series junction boxes are installed in industrial plants where there is a risk of explosion and fire, where combustible dust and group IIC gases are present, classified as Zone 1, 2, 21, 22. These enclosures are made from welded 316L sheet stainless steel and come complete with stainless steel screws and a silicone gasket running around the perimeter between the body and lid to provide the IP66 protection degree. The CCAI units are mostly used as junction boxes with relevant connection terminals, as enclosures for fuses, transformers and reactors, as monitoring and signalling boards, light and power boards or motor starter boxes with various configurations, which are custom made to the requirements of our customers worldwide.

- Body and cover in stainless steel. Lid fitted with hinges for body coupling system incorporating cylindrical joint.
- Hinges in stainless steel.
- Internal/external stainless steel earth screws.
- Fixing lugs.
- Internal/external earth screws.
- Silicon gasket.

Code	Weight Kg	 mm	 mm
CCAI-2020	21	200x200x200	160x160x155
CCAI-3020	38	300x300x200	260x260x155
CCAI-3030	46	300x300x300	260x260x255
CCAI-4030	75	400x400x300	360x360x255

CCAIF SERIES STAINLESS STEEL JUNCTION BOXES GAS GROUP IIC



[Online catalogue](#)



MARKING

Ex II 2GD Ex db IIC T... Gb; Ex tb IIIC T.. °C Db

Ex I M2; Ex db I Mb

Other certificates available on www.cortemgroup.com web site

DEGREE OF PROTECTION

IP66

STANDARD AMBIENT TEMPERATURE

-20°C +40°C

(special temperature: -60°C +150°C)



ZONE

1-2-21-22

FEATURES AND BENEFITS

CCAIF series junction boxes in stainless steel have a screw cover with or without round window. They are used either as junction boxes with/without terminals and the body and cover can be drilled and threaded according to customers' specification. In accordance with rules, Cortem only can perform the drilling.

- Body and lid in AISI 316L stainless steel.
- Internal/external stainless steel earth screws.
- Fixing lugs.
- Internal/external earth screws.
- Silicon gasket.

Code	Weight Kg	 mm	 mm
CCAIF-2020	18	200x200x200	180x180x155
CCAIF-3020	35	300x300x200	280x280x155
CCAIF-4030	65	400x400x300	380x380x255

EJBC SERIES ALUMINIUM JUNCTION BOXES GAS GROUP IIC



[Online catalogue](#)



MARKING

Ex II 2GD Ex db IIC T... Gb Ex tb IIIC T... °C Db

Other certificates available on www.cortemgroup.com website

DEGREE OF PROTECTION

IP66/67

STANDARD AMBIENT TEMPERATURE

-40°C +60°C

(special temperature: -60°C +150°C)


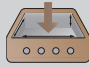
ZONE

1-2-21-22

FEATURES AND BENEFITS

The EJBC series junction boxes have been carefully designed to allow their installation in areas with danger of explosion and/or fire due to the presence of all Gases of Group IIA - IIB - IIC classified as Zone 1, 2, 21, 22. The peculiar multi-step joint, obtained thanks to the high quality and precision of the machining, has allowed, in fact, the extension of the protection of gases to Group IIC [Acetylene (C₂H₂), Carbon disulphide, Hydrogen (H₂)]. The quality of this product is recognized and valued the world over for its specific aluminium alloy and the mechanical property of its finishes. The EJBC series is mostly used as a box to carry terminals and busbars, fuse carriers, transformers, reactors and barriers, though it is also used to produce control and signalling boards, light and power boards and surge arresters, and motor starter boxes with various configurations, which are custom made to the requirements of our customers worldwide.

- Body and lid in low copper content aluminium alloy.
- Stainless steel cover bolts.
- Internal/external earth screws.
- RAL 7035 epoxy coating.
- Galvanized steel mounting brackets.
- Silicon gasket.
- Body and cover can be drilled and threaded according to customers specification.

Code	Weight Kg	 mm	 mm
EJBC-45	38,9	567x387x298	490x305x229
EJBC-45B	35,3	567x387x248	490x305x179
EJBC-5	51	632x432x341	560x360x275
EJBC-5B	43,4	632x432x271	560x360x205

EJB SERIES JUNCTION BOXES WITH ROUND VIEWING WINDOWS



[Online catalogue](#)



MARKING

Ex II 2GD Ex db IIB+H₂ T.. Gb; Ex tb IIIC T..°C Db

Other certificates available on www.cortemgroup.com web site

DEGREE OF PROTECTION

IP66/67

STANDARD AMBIENT TEMPERATURE

-20°C +40°C

(special temperature: -60°C +60°C)

ZONE

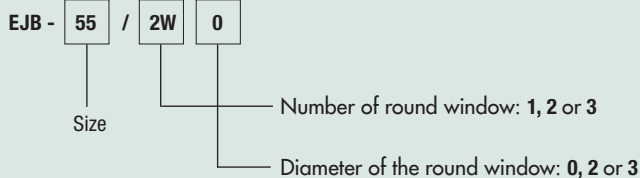
1-2-21-22

FEATURES AND BENEFITS

EJB series junction boxes are used as enclosures for electrical equipment that requires a visual interface with the outside. Voltmeters, ammeters and other analogue and digital measuring instruments are typical examples of installations that require a window for taking direct readings. These enclosures are also used to house monitoring instruments such as infra-red photoelectric cells and twilight sensors that provide pulses for control and signalling equipment (opening/closing, alarms, etc....).

- Body and lid in low copper content aluminium alloy.
- Tempered glass.
- Stainless steel cover bolts.
- Internal/external earth screws.
- RAL 7035 polyester coating.
- Galvanized steel mounting brackets.
- Silicon gasket.
- Body and cover can be drilled and threaded according to customers specification.
- Bolts and screws in stainless steel.

Order code example



EJB SERIES JUNCTION BOXES WITH RECTANGULAR/SQUARE VIEWING WINDOWS



[Online catalogue](#)



MARKING

Ex II 2GD Ex db IIB+H₂ T.. Gb; Ex tb IIIC T..°C Db

Other certificates available on www.cortemgroup.com web site

DEGREE OF PROTECTION

IP66/67

STANDARD AMBIENT TEMPERATURE

-20°C +40°C

(special temperature: -60°C +60°C)

ZONE

1-2-21-22

FEATURES AND BENEFITS

EJB series junction boxes in aluminium with rectangular/square viewing windows are used as enclosures for electrical equipment that requires a visual interface with the outside. Voltmeters, ammeters and other analogue and digital measuring instruments are typical examples of installations that require a window for taking direct readings. These enclosures are also used to house monitoring instruments such as infra-red photoelectric cells and twilight sensors that provide pulses for control and signalling equipment (opening/closing, alarms, etc....). We can provide standard windows to meet your requirements for the various enclosure types for such purposes as viewing analogue or digital instruments, indicators of various kinds.

- Body and lid in low copper content aluminium alloy.
- Tempered glass.
- Stainless steel cover bolts.
- Internal/external earth screws.
- RAL 7035 polyester coating.
- Galvanized steel mounting brackets.
- Silicon gasket.
- Body and cover can be drilled and threaded according to customers specification.
- Bolts and screws in stainless steel.

Order code example

Position of standard window in centre.

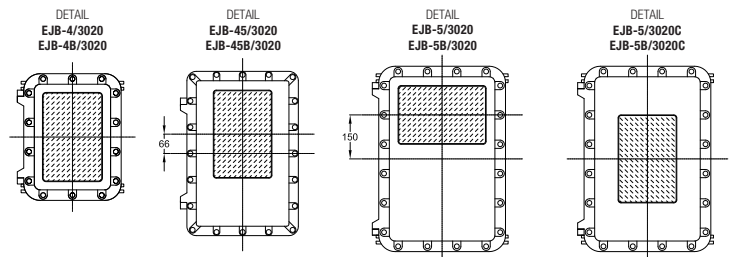
Non-standard window positions or dimensions on request.

EJB - 55 / 3020

Size

Max. dimension of the windows

ENCLOSURES WITH STANDARD 300x200 CAST WINDOWS



EJBX SERIES JUNCTION BOXES WITH RECTANGULAR/SQUARE VIEWING WINDOWS



[Online catalogue](#)



MARKING

Ex II 2GD Ex db IIB+H₂ T.. Gb; Ex tb IIIC T..°C Db
Ex I M2; Ex db I Mb

Other certificates available on www.cortemgroup.com web site

DEGREE OF PROTECTION

IP66/67

STANDARD AMBIENT TEMPERATURE

-20°C +40°C

(special temperature: -60°C +60°C)

ZONE

1-2-21-22

FEATURES AND BENEFITS

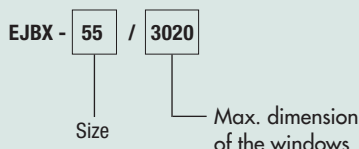
EJBX series junction boxes in stainless steel with rectangular/square viewing windows are used as enclosures for electrical equipment that requires a visual interface with the outside. Voltmeters, ammeters and other analogue and digital measuring instruments are typical examples of installations that require a window for taking direct readings. These enclosures are also used to house monitoring instruments such as infra-red photoelectric cells and twilight sensors that provide pulses for control and signalling equipment (opening/closing, alarms, etc....). We can provide standard windows to meet your requirements for the various enclosure types for such purposes as viewing analogue or digital instruments, indicators of various kinds.

- Body and lid in AISI 316L stainless steel.
- Tempered glass.
- Hinges lost-wax cast and welded onto enclosure.
- Lid handle: made of black painted steel for EJBX-55,55B, EJBX-6,6B e EJBX-7, made of black painted plastic for all other models.
- Fixing lugs.
- Quartz sand blasting treatment.
- Silicon gasket.
- Bolts and screws in stainless steel.

Order code example

Position of standard window in centre.

Non-standard window positions or dimensions on request.



CCA-...EH SERIES JUNCTION BOXES WITH ROUND VIEWING WINDOWS



[Online catalogue](#)



MARKING

Ex II 2GD Ex db IIC T... Gb; Ex tb IIIC T..°C Db

Other certificates available on www.cortemgroup.com website

DEGREE OF PROTECTION

IP66

STANDARD AMBIENT TEMPERATURE

-20°C +40°C

(special temperature: -60°C +150°C)


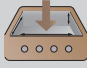
ZONE

1-2-21-22

FEATURES AND BENEFITS

CCA-...EH series junction boxes are used as enclosures for electrical equipment that requires a visual interface with the outside. Voltmeters, ammeters and other analogue and digital measuring instruments are typical examples of installations that require a window for taking direct readings. These enclosures are also used to house monitoring instruments such as infra-red photoelectric cells and twilight sensors that provide pulses for control and signalling equipment (opening/closing, alarms, etc....). Our technical department will decide what size enclosures to use based on your requirements and determine the internal layout so that all the dimensional and electrical parameters prescribed by the certificate are met. We can install equipment to your specifications within the technical limits allowed by the certificate and based on our standard control and signalling devices.

- Body and cover in low copper content aluminium alloy.
- Tempered glass.
- Internal/external stainless steel earth screws.
- Fixing lugs.
- Internal/external earth screws.
- RAL 7035 polyester coating.
- Silicon gasket.

Code	Ø round viewing	Weight Kg	 mm	 mm
CCA-0EH	90	2,3	146x146x130	104x104x85
CCA-01EH	90		160x160x155	121x121x105
CCA-02EH	140		212x212x150	171x171x95
CCA-03EH	180	10,1	260x260x210	216x216x140
CCA-04EH	310		310x310x410	353x353x190

CCAIF...H SERIES JUNCTION BOXES WITH ROUND VIEWING WINDOWS



[Online catalogue](#)



MARKING

Ex II 2GD Ex db IIC T... Gb; Ex tb IIIC T..°C Db

Ex I M2; Ex db I Mb

Other certificates available on www.cortemgroup.com web site

DEGREE OF PROTECTION

IP66

STANDARD AMBIENT TEMPERATURE

-20°C +40°C

(special temperature: -60°C +150°C)


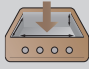
ZONE

1-2-21-22

FEATURES AND BENEFITS

CCAIF...H series junction boxes in stainless steel have a screw cover with or without round window. They are used either as junction boxes with/without terminals and the body and cover can be drilled and threaded according to customers' specification. In accordance with rules, Cortem only can perform the drilling.

- Body and lid in AISI 316L stainless steel.
- Internal/external stainless steel earth screws.
- Fixing lugs.
- Internal/external earth screws.
- Silicon gasket.

Code	Weight Kg	 mm	 mm
CCAIF-2020H		200x200x200	180x180x155
CCAIF-3020H		300x300x200	280x280x155
CCAIF-4030H		400x400x300	380x380x255

M-0 "Ex d" CONTROL, MONITORING AND SIGNALLING DEVICES



[Online catalogue](#)



MARKING

Ex II 2GD Ex db IIC Gb; Ex tb IIIC Db

Ex I M2; Ex db I Mb

Other certificates available on www.cortemgroup.com web site

DEGREE OF PROTECTION

IP66

STANDARD AMBIENT TEMPERATURE

-20°C +100°C

(special temperature: -60°C +100°C)

ZONE

1-2-21-22

FEATURES AND BENEFITS

M-0 series control, monitoring and signalling devices are installed as external accessories on Cortem 'Ex d' enclosures used in any industrial environment where an explosive atmosphere may be present, classified as Zone 1, 2, 21, 22. M-0 control devices can be used to close or open electrical or mechanical devices fitted inside the 'Ex d' enclosures while the signalling devices feature lights to indicate their operating status. The control and signalling device components are made from stainless steel to deliver unbeatable efficiency under any environmental conditions. Levers are made from aluminium while the plastic parts on push-buttons are designed to provide lengthy service life even when used in a highly corrosive atmosphere. M-0 control and signalling devices have an IP66 protection degree.

- Outer body in aluminium.
- Internal bush in stainless steel.
- Internal pin in stainless steel.
- Silicon gasket.
- Push-button in coloured nylon.
- Illuminated push-button in clear coloured polycarbonate.
- Handle levers in aluminium.
- Coating in polyester coating RAL 7035 (Light grey), where fitted.
- Device mounting screws into lid.
- Contact mounting snaps onto special flange, which assures quick connection of the whole contact block to the device.

S SERIES JUNCTION BOXES GAS GROUP IIC



[Online catalogue](#)



MARKING

Ex II 2 GD - Ex d IIC T... Gb - Ex tb IIIC T... Db
 Ex II 2 GD - Ex e IIC T... Gb - Ex tb IIIC T... Db
 Ex II 2 GD - Ex i IIC T... Gb - Ex tb IIIC T... Db

DEGREE OF PROTECTION

IP66/67

STANDARD AMBIENT TEMPERATURE

-40°C +150°C

ZONE

1-2-21-22

FEATURES AND BENEFITS

The S series junction boxes are made from aluminium alloy or AISI316L stainless steel and are used to accommodate cables connected both with multi-pole terminal strips and modular terminals. The extensive range offered caters to specific customer requirements and can be installed in areas classified as Zone 1, 2, 21, 22. The design features of the S series junction boxes make them suitable for operating temperatures in the -40°C to +150°C range depending on their size, the type of gasket used and the terminals used.

- Body and lid in low copper content aluminium alloy.
- Screw-on lid with safety fastening grub screw.
- Gasket in silicone.
- RAL 7035 polyester coating.
- Bolts and screws in stainless steel.
- Earth screws in stainless steel.

Order code example

S **C** - **2** **4** .**1**

Position of entries

Entries type

Model dimension

Position of entries

SC

SL

ST

SX

Entries type

1 1/2"

2 3/4"

3 1"

5 1 1/2"

6 2 1/2"

Model dimension

4

6

9

SFT-..

SFX-..

SSC-..

For other models see the general catalogue

SA, SAG SERIES (Ex e) AND (Ex i) ALUMINIUM JUNCTION BOXES



[Online catalogue](#)



MARKING

Ex II 2GD Ex eb IIC T... Gb - Ex tb IIIC T... °C Db
 Ex II 2GD Ex e ia IIC T... Gb - Ex ia IIIC T... °C Db
 Ex II 2GD Ex db eb IIC T... Gb - Ex tb IIIC T... °C Db

DEGREE OF PROTECTION

IP66

STANDARD AMBIENT TEMPERATURE

-40°C +40°C
 (special temperature: -60°C +85°C)


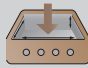
ZONE


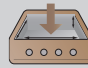
1-2-21-22

FEATURES AND BENEFITS

SA...SAG series junction boxes are made from aluminium alloy and given an electrostatically applied polyester coating containing stainless steel particles that is then baked at 200°C. This treatment ensures good UV as well as thermal stability, providing mechanical impact resistance and excellent resistance when exposed either to salt mist or to marine and other damp environments. SA...SAG series junction boxes are usually installed in industrial plants where there is a risk of explosion and fire, classified as Zone 1, 2, 21, 22. They are mainly used as junction boxes and/or for routing cables to control rooms for analogue or digital signals and for control, monitoring and signalling associated with equipment such as motors, pumps...etc., or for giving physical readings such as flow rate, level, temperature, pressure, etc...The thickness of its walls (7mm) means the SAG series is suitable for direct connection with pipes and fittings featuring tapered threads.

- Low copper content aluminium alloy.
- Stainless steel bolts and screws.
- Silicone seal.
- Internal/external earth screws.
- Fixing lugs.
- RAL 7035 (Ex e) o RAL 5015 (Ex i) polyester coating.

Code	Weight Kg	 mm	 mm
SA090907	0.40	90x90x73	84x84x54
SA111108	0.50	110x110x83	104x104x64
SAG111108	0.75	110x110x83	96x96x64
SA171108	0.80	170x110x83	164x104x65
SAG171108	1.55	170x110x83	156x96x65
SA141410	0.80	147x147x100	141x141x80
SAG141410	1.40	147x147x100	133x133x80
SA202012	1.70	200x200x120	192x192x98
SA301410	2.00	305x147x110	296x138x90

Code	Weight Kg	 mm	 mm
SAG301410	2.70	291x133x75	291x133x75
SA302310	2.80	296x221x90	296x221x90
SAG302310	3.40	291x216x75	291x216x75
SA302318	3.50	296x221x165	296x221x165
SAG302318	5.30	291x216x155	291x216x155
SA473018	6.50	465x295x174	465x295x174
SAG473018	8.90	461x294x174	461x294x174
SAG623018	11.3	613x293x174	613x293x174
SAG606018	27.0	584x584x177	584x584x177

SA...P SERIES POLYESTER JUNCTION BOXES (Ex e) AND (Ex i)



[Online catalogue](#)



MARKING

Ex II 2GD Ex eb IIC T... Gb - Ex tb IIIC T... °C Db
 Ex II 2GD Ex e ia IIC T... Gb - Ex ia IIIC T... °C Db
 Ex II 2GD Ex db eb IIC T... Gb - Ex tb IIIC T... °C Db

DEGREE OF PROTECTION

IP66

STANDARD AMBIENT TEMPERATURE

-40°C +40°C
 (special temperature: -40°C +85°C)

ZONE

1-2-21-22

FEATURES AND BENEFITS

SA...P series junction boxes are made from fibreglass-reinforced polyester. Because they are highly resistant to contamination from fuel oils and mechanical shock, in addition to being lightweight and practical, they can be installed in all industrial plants, especially those where there is a potential risk of explosion and/or fire due to the presence of combustible gases or dust, classified as Zone 1, 2, 21 and 22. The enclosures have special holes made in the base for easy wall mounting. The lid features a silicone gasket that is resistant to low and high temperatures and comes complete with AISI 304 stainless steel screws, which are arranged around the outside of the lid to ensure a tight seal with the IP66 rating. SA...P series enclosures are mainly used as junction boxes/for routing cables for analogue or digital signals and/or for control and monitoring associated with equipment such as motors, fans, pumps and/or for giving physical readings such as flow rate, level, pressure, temperature, current, etc.. Terminal strips can be arranged inside the enclosure in various different configurations.

- GRP (glass reinforced polyester resin) in RAL 9017 black coating (Ex e) or RAL 5015 blue coating (Ex i) upon request.
- Stainless steel bolts and screws.
- Silicone gasket.
- Internal/external earth screws.

Code	Weight Kg	 mm	 mm
SA090907/P	0.30	90x90x73	84x84x52
SA111108/P	0.40	110x110x83	104x104x65
SA171108/P	0.80	170x110x83	164x104x65
SA141410/P	1.00	147x147x100	135x135x79
SA301410/P	1.90	305x147x110	296x138x90
SA302310/P	2.50	305x230x110	296x221x90
SA302318/P	3.10	305x230x190	296x221x165
SA473018/P	4.70	470x305x195	460x295x175
SA623018/P	6.30	620x305x185	608x293x160

CTB SERIES (Ex e) AND (Ex i) STAINLESS STEEL JUNCTION BOXES



[Online catalogue](#)



MARKING

Ex II 2GD Ex eb IIC T... Gb - Ex tb IIIC T... °C Db
 Ex II 2GD Ex e ia IIC T... Gb - Ex ia IIIC T... °C Db
 Ex II 2GD Ex db eb IIC T... Gb - Ex tb IIIC T... °C Db

DEGREE OF PROTECTION

IP66

STANDARD AMBIENT TEMPERATURE

-40°C +40°C
 (special temperature: -60°C +85°C)


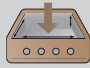
ZONE


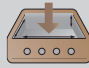
1-2-21-22

FEATURES AND BENEFITS

CTB, CSTB junction box series is made from AISI 316L stainless steel sheet to ensure correct service in the aggressive environments it is installed in. With their high standard of quality and use of select raw materials processed with cutting-edge technologies, these boxes successfully withstand harsh external factors, such as water, dust, hard knocks, vibrations, corrosion and extreme fluctuations in temperature, ensuring a very long period of consistently reliable service. CTB, CSTB series enclosures are usually installed in industrial plants where there is a risk of explosion and fire, classified as Zone 1, 2, 21, 22; they are mainly used as junction boxes or for routing cables for analogue or digital signals and for control and monitoring associated with equipment such as motors, pumps...etc..

- AISI 316L stainless steel.
- Stainless steel bolts and screws.
- Internal/external earth screws.
- Fixing lugs.

Code	Weight Kg	 mm	 mm
CSTB121208	1,2	120x120x80	84x60x26
CSTB151509	1,6	150x150x90	114x90x36
CSTB191910	2,2	190x190x100	154x130x46
CTB221513	2,8	229x152x130	169x92x75
CTB262616	5,2	260x260x160	224x200x100
CTB262620	5,8	260x260x205	224x200x145
CTB303016	6,0	306x306x160	270x246x100
CTB303020	6,6	306x306x205	270x246x145
CTB382616	6,3	380x260x160	344x200x100
CTB382620	6,6	380x260x205	344x200x145
CTB453816	9,2	450x380x160	414x322x100
CTB453820	10,0	450x380x205	414x322x145
CTB484816	11	480x480x160	444x420x100
CTB484820	11,4	480x480x205	444x420x145

Code	Weight Kg	 mm	 mm
CTB503516	9,3	500x350x160	464x290x100
CTB503520	10,2	500x350x205	464x290x145
CTB624516	15,7	620x450x160	584x390x100
CTB624520	17,2	620x450x205	584x390x145
CTB745520	24,7	740x550x205	704x490x145
CTB765020	23,8	762x508x205	726x448x145
CTB808030	40,0	800x800x305	725x725x245
CTB866420	30,3	860x640x205	824x580x145
CTB916120	30,8	914x610x205	878x550x145
CTB916130	35,5	914x610x305	878x550x245
CTB987420	38,9	980x740x205	944x680x145

M-0 "Ex e" CONTROL, MONITORING AND SIGNALLING DEVICES



[Online catalogue](#)



MARKING

Ex II 2GD Ex e IIC Gb; Ex tb IIIC Db
Ex II 2G Ex db eb IIC Gb; Ex tb IIIC Db

DEGREE OF PROTECTION

IP66

STANDARD AMBIENT TEMPERATURE

-40°C +90°C

ZONE

1-2-21-22

FEATURES AND BENEFITS

The Cortem M-0 series control, monitoring and signalling devices are installed as external accessories on 'Ex e' enclosures and boards used in any industrial environment where an explosive atmosphere may be present, classified as Zone 1, 2, 21, 22. M-0 control devices can be used to close or open electrical or mechanical devices fitted inside the 'Ex e' enclosures while the signalling devices feature lights to indicate their operating status. The control and signalling device components are made from stainless steel to deliver unbeatable efficiency under any environmental conditions. Levers are made from aluminium while the plastic parts on push-buttons are designed to provide lengthy service life even when used in a highly corrosive atmosphere. M-0 control and signalling devices have an IP66 protection rating.

- Outer body in aluminium.
- Internal bush in stainless steel.
- Internal pin in stainless steel.
- Silicone gaskets.
- Push-button in nylon.
- Illuminated push-button clear coloured polycarbonate.
- Handle levers in aluminium.
- Coating in polyester coating RAL 7035 (Light grey), where fitted.
- Device mounting screws into lid.
- Contact mounting snaps onto special flange, which assures quick connection of the whole contact block to the device.

CSC SERIES CONTROL AND SIGNALLING STATIONS



[Online catalogue](#)



MARKING

Ex II 2 GD; Ex d IIC T...°C Gb; Ex tb IIIC T...°C Db
Ex I M2 Ex d I Mb (stainless steel and cast iron ONLY)

DEGREE OF PROTECTION

IP66

STANDARD AMBIENT TEMPERATURE

-20°C +55°C
(special temperature: -50°C +55°C)

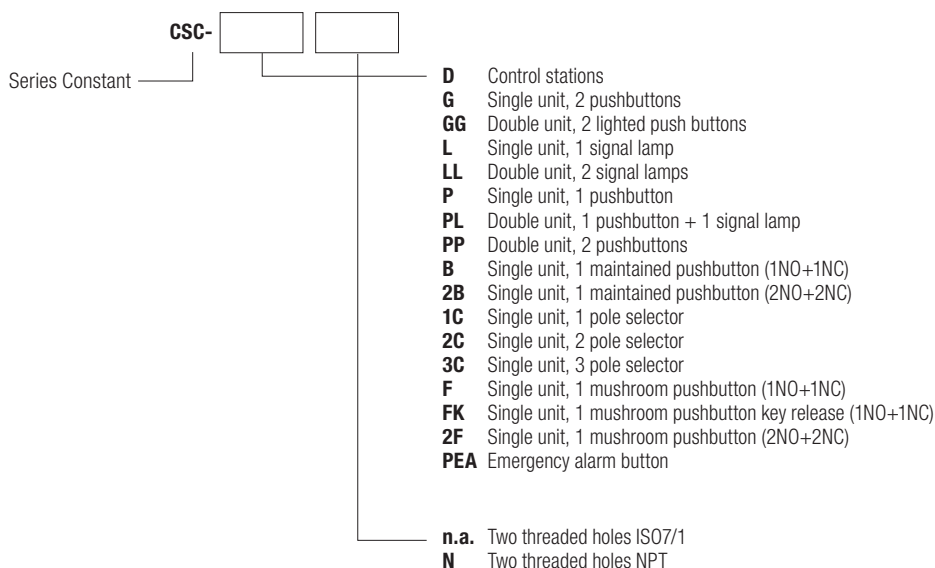
ZONE

1-2-21-22

FEATURES AND BENEFITS

CSC series control stations are suitable for the signalling and the control of equipment installed on board machines or at distance. They are used in the chemical, petrochemical and pharmaceutical industries and in other places where an explosion-proof installation is required.

- Body and lid in low copper content aluminium alloy, complete with wall fastening lugs.
- Voltage/amperage for standard use.
- Silicon gasket.
- Instrument casing in borosilicate glass.
- Certification label, adhesive affixed to external surface.
- Screws in stainless steel.
- Internal/external earth screws.
- RAL 7035 epoxy coating.



Example:
CSC-1CN

Single unit control station with 1 pole selector and two threaded holes NPT.

EFDC SERIES CONTROL AND SIGNALLING STATIONS



[Online catalogue](#)



MARKING

Ex II 2 GD; Ex d IIC T...°C Gb; Ex tb IIIC T...°C Db
Ex I M2 Ex d I Mb (stainless steel and cast iron ONLY)

DEGREE OF PROTECTION

IP66

STANDARD AMBIENT TEMPERATURE

-20°C +55°C
(special temperature: -50°C +55°C)

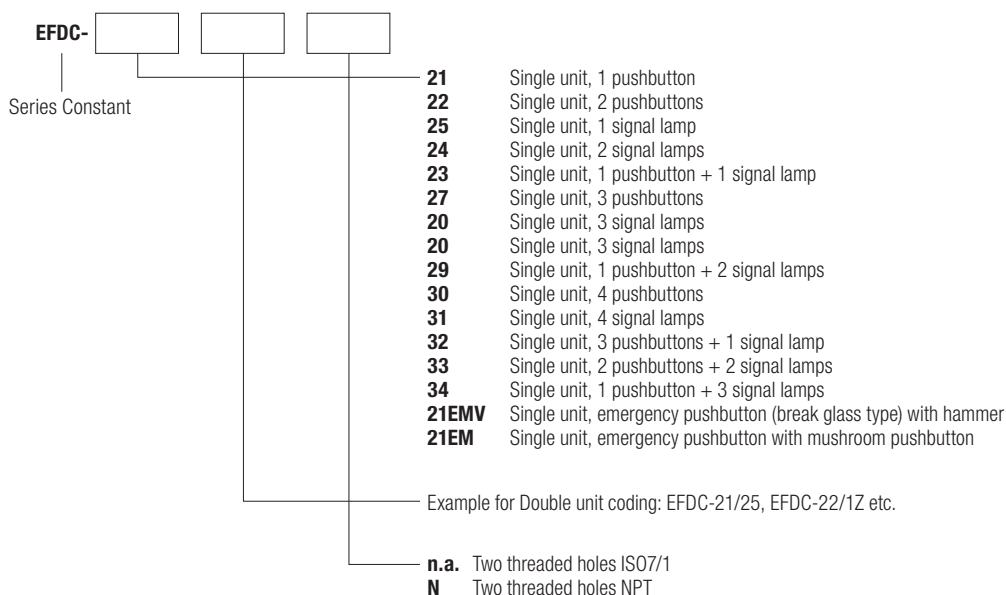
ZONE

1-2-21-22

FEATURES AND BENEFITS

EFDC series control stations are suitable for the signalling and the control of equipment installed onboard machines or at distance. They are used in the chemical, petrochemical and pharmaceutical industries and in any other place where an explosion-proof installation is required. A feature of this control station series is the possibility of applying up to four different operators on the cover. Cylindrical housing in low copper content aluminium alloy with stainless steel bushing and push button shaft. Stainless steel fixing screws for unit and cover, lugs for wall mounting. Stainless steel earth screws. RAL 7035 epoxy coating. Voltage/amperage for standard use.

- Cylindrical housing in low copper content aluminium alloy with stainless steel bushing and push button shaft.
- Voltage/amperage for standard use.
- Silicon gasket.
- Screws in stainless steel
- Internal/external earth screws.
- RAL 7035 epoxy coating.



Example:
EFDC-25N

Single unit control station with 1 signal lamp and two threaded holes NPT.

CSC SERIES SWITCHES, SELECTORS AND CIRCUIT BREAKER



[Online catalogue](#)



MARKING

Ex II 2 GD; Ex d IIC T...°C Gb; Ex tb IIIC T...°C Db
Ex I M2 Ex d I Mb (stainless steel and cast iron ONLY)

DEGREE OF PROTECTION

IP66

STANDARD AMBIENT TEMPERATURE

-20°C +55°C
(special temperature: -50°C +55°C)

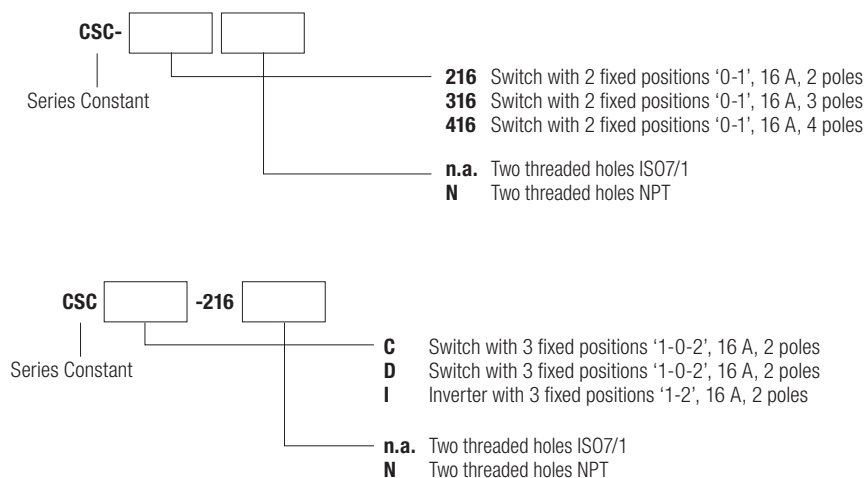
ZONE

1-2-21-22

FEATURES AND BENEFITS

CSC series circuit breakers, switches and changeover switches are rotary type 16 A models with control handle on the cover. Supplied with Male 1" - Female 3/4" reducer.

- Body and cover in low copper content aluminium alloy.
- Frontal aluminium handle.
- Cover fitted with stainless steel closing screws.
- Silicon gasket.
- Fixing lugs.
- Internal/external stainless steel earth screws.
- RAL 7035 epoxy coating.



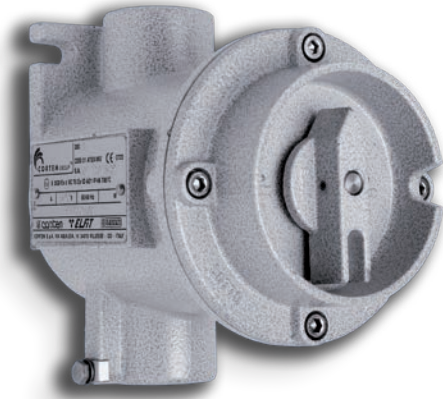
Example:
CSC-216
CSCC-216N

Single unit control station with 2 fixed positions switch '0-1', 16 A, 2 poles.
Single unit control station with 3 fixed positions switch '1-0-2', 16 A, 2 poles.

EFSCO SERIES SWITCHES, SELECTORS AND CIRCUIT BREAKER



[Online catalogue](#)



MARKING

Ex II 2 GD; Ex d IIC T...°C Gb; Ex tb IIIC T...°C Db
Ex I M2 Ex d I Mb (stainless steel and cast iron ONLY)

DEGREE OF PROTECTION

IP66

STANDARD AMBIENT TEMPERATURE

-20°C +55°C
(special temperature: -50°C +55°C)

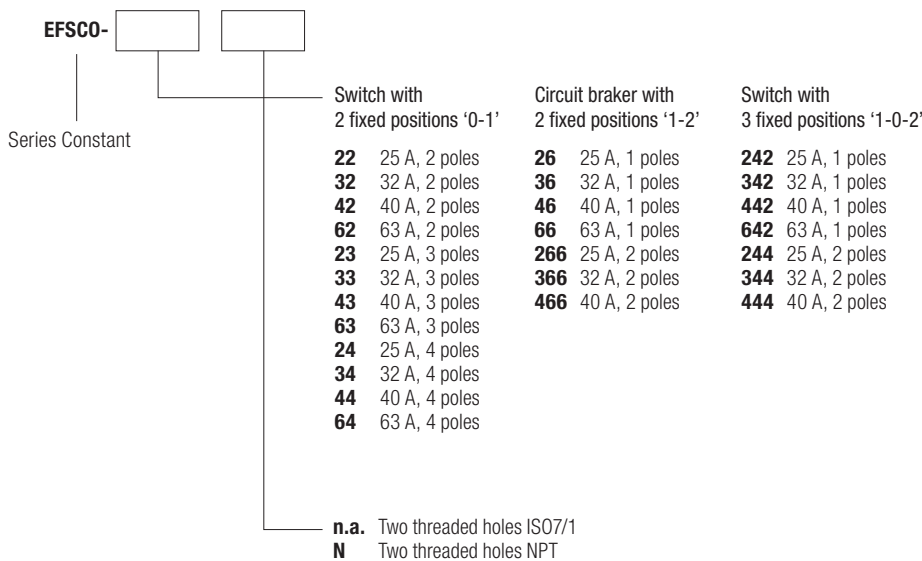
ZONE

1-2-21-22

FEATURES AND BENEFITS

EFSCO series circuit breakers, switches and changeover switches are rotary type 25 A, 50 A and 63 A models with control handle on the cover.

- Body and cover in low copper content aluminium alloy.
- Frontal aluminium handle.
- Silicon gasket.
- Cover fitted with stainless steel closing screw.
- Fixing lugs.
- Internal/external stainless steel earth screws.
- RAL 7035 epoxy coating.



Example:
EFSCO-32N

Single unit control station with 2 fixed positions switch '0-1', 32 A, 2 poles and two threaded holes NPT.

EMHA-9 AND CSC-H SERIES INSTRUMENT HOUSINGS



[Online catalogue](#)



MARKING

Ex II 2 GD; Ex d IIC T...°C Gb; Ex tb IIIC T...°C Db
Ex I M2 Ex d I Mb (stainless steel and cast iron ONLY)

DEGREE OF PROTECTION

IP66

STANDARD AMBIENT TEMPERATURE

-20°C +55°C
(special temperature: -50°C +55°C)

ZONE

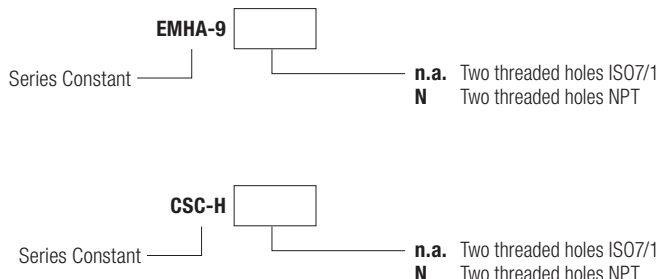
1-2-21-22

FEATURES AND BENEFITS

EMHA-9 series instrument housings are normally used to enclose analogical instruments such as ammeters and voltmeters of medium size.

CSC series instrument housings are normally used to contain analogical instruments such as ammeters and voltmeters of small size.

- Body and cover in low copper content aluminium alloy.
- Tempered glass.
- Silicon gasket.
- Stainless steel screws.
- Fixing lugs.
- Internal/external earth screw.
- RAL 7035 epoxy coating.



Example:
EMHA-9N Instrument housing with two threaded holes NPT.

CSE SERIES CONTROL AND SIGNALLING STATIONS



[Online catalogue](#)



MARKING

Ex II 2 GD; Ex d IIB T... Gb; Ex tb IIIC T... °C Db

DEGREE OF PROTECTION

IP66

STANDARD AMBIENT TEMPERATURE

-20°C +55°C

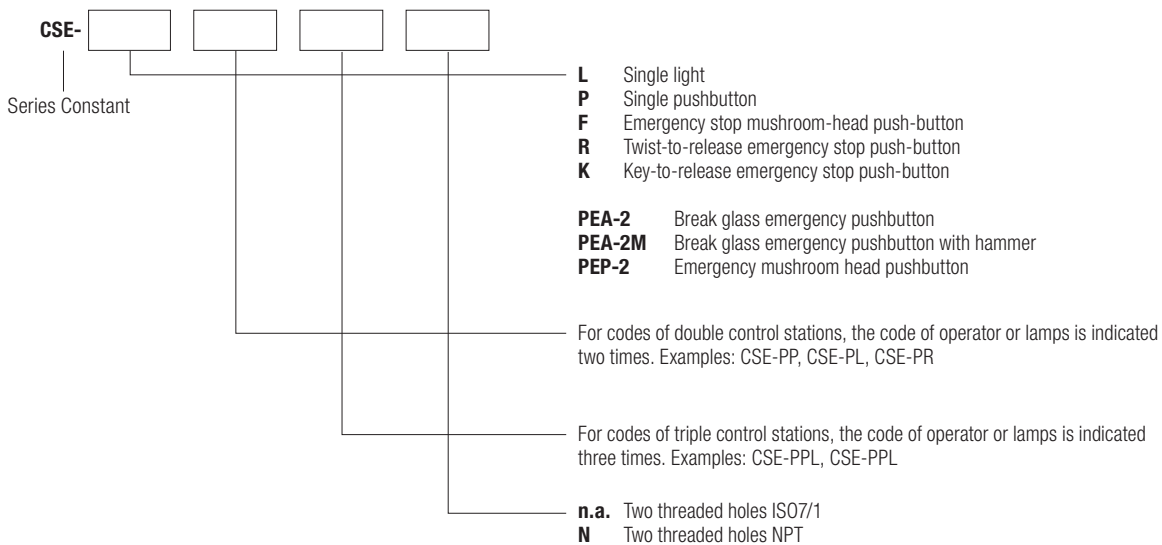
ZONE

1-2-21-22

FEATURES AND BENEFITS

CSE series control stations are suitable for the signalling and the control of equipment installed onboard machines or at distance. They are used in the chemical, petrochemical and pharmaceutical industries and in any other place where an explosion-proof installation is required.

- Rectangular housing in low copper content aluminium alloy with stainless steel bushing and push button shaft.
- Stainless steel fixing screws for body and cover, lugs for wall mounting.
- Silicon gasket.
- Stainless steel earth screws.
- RAL 7035 epoxy coating.
- Voltage/amperage for standard use.



Example:

- CSE-PPL** Control station with two push button and indicator light.
CSE-PPN Control station with two push button with two threaded holes type NPT.

EFD3 SERIES BREAKERS



[Online catalogue](#)



MARKING

Ex II 2 GD; Ex d IIB T... Gb; Ex tb IIIC T... °C Db

DEGREE OF PROTECTION

IP66

STANDARD AMBIENT TEMPERATURE

-20°C +55°C

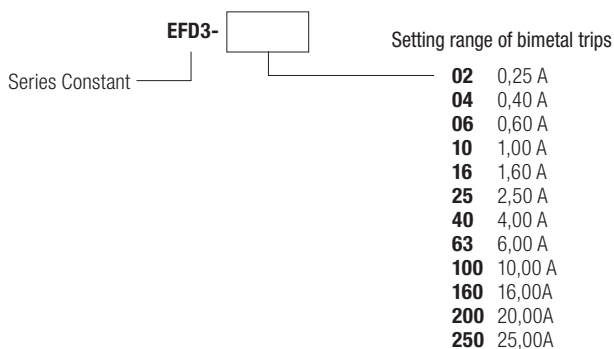
ZONE

1-2-21-22

FEATURES AND BENEFITS

EFD3 series three pole, magnetothermic breakers are used for control (start - stop) and protection of three-phase motors. Circuit breaker with adjustable magnetothermic protection and external control handle.

- Body and cover in low copper content aluminium alloy.
- Silicon gasket.
- Control levers in coated aluminium alloy.
- ON - OFF plate in stainless steel.
- Stainless steel screws.
- Fixing lugs.
- Internal/external earth screw.
- RAL 7035 epoxy coating.



Example:
EFD3-02

Magnetothermic breakers 0,25 A.

PY, SPY SERIES SOCKETS AND PLUGS FROM 16A TO 32A



[Online catalogue](#)



MARKING

Ex II 2 GD Ex d IIC T6 Gb; Ex tb IIIC T76°C Db

DEGREE OF PROTECTION

IP66

STANDARD AMBIENT TEMPERATURE

-20°C +50°C

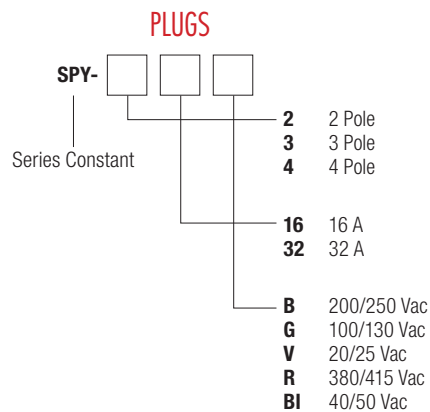
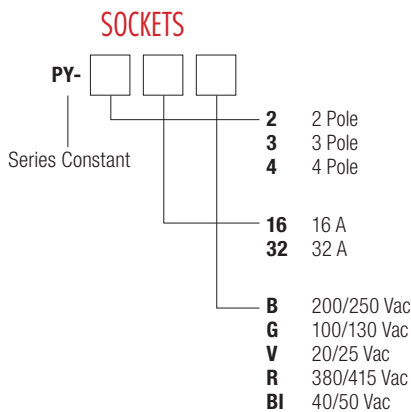
ZONE

1-2-21-22

FEATURES AND BENEFITS

PY series sockets, with a interlocked disconnecting switch included, are suitable for every explosive atmosphere. Although they are joined up to SPY plugs, which can be used with industrial sockets in accordance with European directive CEE 17, they can't be combined with industrial plugs. Rated voltage identification by ring colour.

- Body and cover in low copper content aluminium alloy.
- PVC blinding plug with chain to prevent from loosing it.
- Brass pins.
- Stainless steel earth screws.
- Fixing lugs.
- Plug not included.
- RAL 7035 polyester coating.



Example:

PY-332G Socket 3P+ $\frac{1}{\text{PE}}$, max. capacity 32 A, rated voltage 100/130Vac, 50/60Hz.

SPY-232G Plug 2P+ $\frac{1}{\text{PE}}$, max. capacity 32 A, rated voltage 100/130Vac, 50/60Hz.

FSQC, FP SERIES SOCKETS AND PLUGS FROM 10A TO 63A



[Online catalogue](#)



MARKING

Ex II 2 GD; Ex d IIC T6 Gb; Ex tb IIIC T85°C Db

DEGREE OF PROTECTION

IP65

STANDARD AMBIENT TEMPERATURE

-20°C +40°C (+55°C)

ZONE

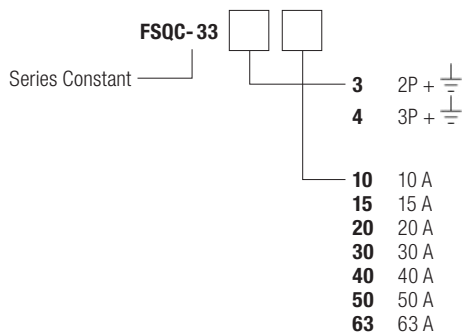
1-2-21-22

FEATURES AND BENEFITS

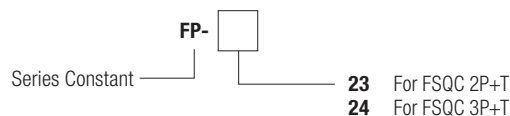
FSQC series sockets are available in two or three poles models plus earth. The equipment powering up is achieved when the plug is inserted and it acts on the internal circuit breaker. This operation avoids the formation of arcs between plugs and socket cavities and pins. FP series plugs are available in two or three poles models plus earth.

- Body, cover and external handle in low copper content aluminium alloy.
- Closing plug with chain to prevent from losing it.
- Stainless steel earth screws.
- Automatic circuit breaker.
- Brass pins.
- Fixing lugs.
- RAL 7035 polyester coating.

SOCKETS



PLUGS



Example:
FSQC-33310

Socket 3P+, max. capacity 10 A.

EPC, EPRC, AP SERIES SOCKETS AND PLUGS FROM 63A TO 125A



[Online catalogue](#)



MARKING

Ex II 2 GD; Ex d IIC T6 Gb; Ex tb IIIC T85°C Db

DEGREE OF PROTECTION

IP66

STANDARD AMBIENT TEMPERATURE

-20°C +40°C (+55°C)

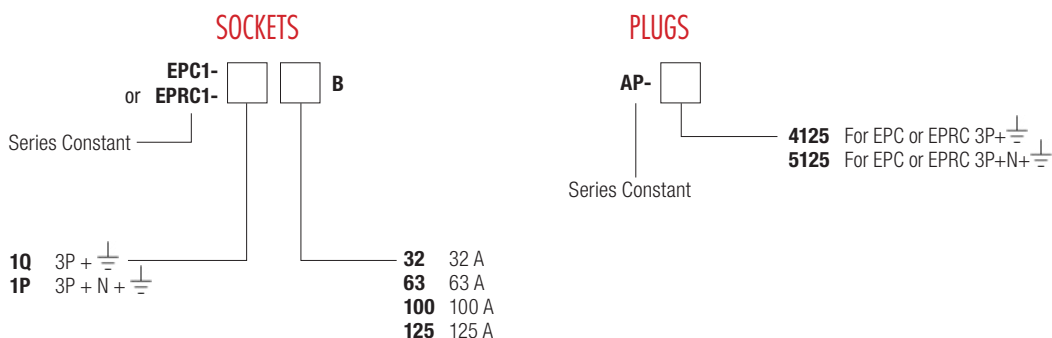
ZONE

1-2-21-22

FEATURES AND BENEFITS

EPC series sockets, characterized by a voltage range from 63A to 125A, are particularly suitable for power welding equipment, compressors, generators and large mobile equipment in general. The circuit breaker can be closed only when the plug is inserted and the plug can be extracted only when the circuit breaker is in the "open" position. AP series plugs are available in two or three poles models plus earth. The equipment powering up is achieved when the plug is inserted with a rotation of 45° and it acts on the internal breaker.

- Body, cover and external handle in low copper content aluminium alloy.
- Blinding plug with chain to prevent from losing it.
- Stainless steel earth screws.
- Automatic circuit breaker.
- Brass pins.
- Fixing lugs.
- RAL 7035 polyester coating.
- EPC socket with GUB-03 junction box.
- EPRC socket with CCA-03E junction box.



Example:
EPC1-1Q63B

Socket 3P+ \perp , max. capacity 63 A.

YFC SERIES LIMIT SWITCH



[Online catalogue](#)



MARKING

Ex II 2 GD Ex d IIC T6 Ex d tD A21 T85°C

DEGREE OF PROTECTION

IP66/67

STANDARD AMBIENT TEMPERATURE

-20°C +55°C

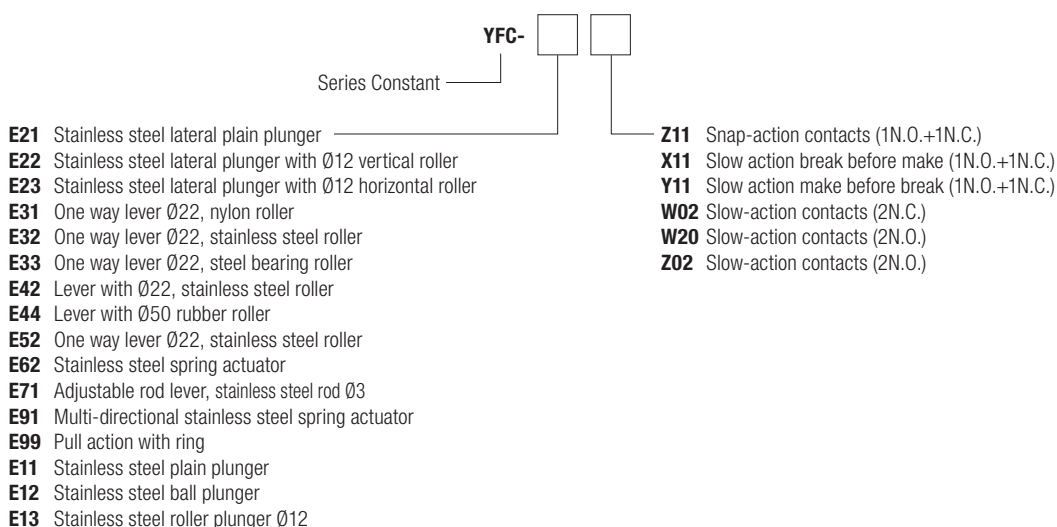
ZONE

1-2-21-22

FEATURES AND BENEFITS

Explosion proof limit switches YFC series are designed to satisfy the most common installation requirements. Easy wiring and quick installation, solidity, reliability in time are the main advantages of these limit switches in aluminium alloy. Furthermore, they are provided with a wide range of actuators and contacts combinations which allow to offer the best solution for proper functioning of a system in dangerous zone.

- Body in low copper content aluminium alloy, complete with wall fastening lugs.
- Silicone gaskets.
- Adhesive certification label affixed to external surface.
- Screws in stainless steel.
- Internal and external earth screw in stainless steel.
- RAL 7035 polyester coating.
- One entry ISO M20x1.5.



Example:

YFC-E21Z11 Explosion proof limit switches YFC with stainless steel lateral plain plunger and with snap-action contacts 1NO + 1NC.

GRDE-4200 ELECTRONIC EARTHING SYSTEM



[Online catalogue](#)

MARKING

Ex II 2(1) G - Ex d [ia Ga] ia IIB T6 Gb
Ex II 2(1) D - Ex tb [ia Da] ia IIIC T85°C Db

DEGREE OF PROTECTION

IP66

STANDARD AMBIENT TEMPERATURE

-20°C +55°C

ZONE

1-2-21-22



FEATURES AND BENEFITS

The GRDE-4200 electronic earthing system help to prevent fire and explosions in areas with hazardous levels of static electricity when trucks or trains load and unload liquids and dry materials.

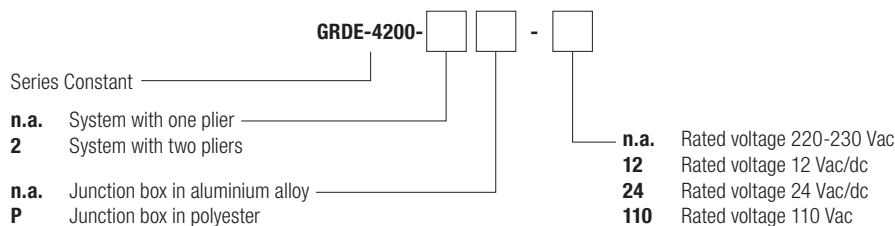
The GRDE-4200 is composed by 'Ex eb/tb' Cortem enclosure, which contain the ATEX/IECEx certified grounding control logic LCZ-4200, and by Cortem 'Ex eb/ tb' control and signal devices such as selectors and alert LED lights. It can be provided with one or two earthing clamps for the connection to tank trucks or other metallic parts.

GRDE-4200/..

- Body and lid in low copper content aluminium alloy
- Silicone gaskets.
- Certification label in aluminium plate riveted onto lid
- Screws in stainless steel.
- RAL 7035 polyester coating.

GRDE-4200/..P

- Body and lid in polyester resin in black with antistatic properties
- Silicone gaskets.
- Certification label in aluminium plate riveted onto lid
- Screws in stainless steel.
- Plier bipolar, casting with aluminium with handles in neoprene, jaws with steel tips, auto-releasing.
- Yellow spiral cable with oil and chemical resistant rubber coating. Length 8 meters (extended).
- Cable glands and plugs in nickel-plated brass type NAV20IB and PLG11B.



Example:

- GRDE-4200** Electronic earthing system 'Ex eb / tb', with junction box in aluminium alloy, one plier and rated voltage 230 Vac.
GRDE-4200-2P-110 Electronic earthing system 'Ex eb / tb', with junction box in polyester, two pliers and rated voltage 110 Vac.

GRD-4200 ELECTRONIC EARTHING SYSTEM



[Online catalogue](#)



MARKING

Ex II 2(1) G - Ex d [ia Ga] ia IIB T6 Gb
Ex II 2(1) D - Ex tb [ia Da] ia IIIC T85°C Db

DEGREE OF PROTECTION

IP66

STANDARD AMBIENT TEMPERATURE

-20°C +55°C

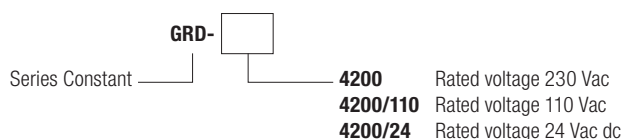
ZONE

1-2-21-22

FEATURES AND BENEFITS

GRD-4200 series electronic equipment provides earthing for tankers during flammable liquids loading and unloading operations in hazardous areas. Its operation is based on the reading of the resistive parameter to guarantee the earthing connection and to control the pump during loading and unloading operations. GRD-4200 electronic grounding equipment obtained the SIL certification (Safety Integrity Level) Level 2 in accordance with IEC-61508 and EN-50495 standards which guarantees the ability of this system to perform its safety function.

- Body and lid in low copper content aluminium alloy.
- Silicone gaskets.
- Certificate label riveted aluminium on lid.
- Screws, bolts and nuts in stainless steel.
- Earthing screw in stainless steel M6. Inside and outside the body and on the lid, complete with anti-rotation brackets.
- Fastening brackets electrolytically galvanized steel.
- Lever on lid in coated aluminium.
- Impact and UV warning lights in resistant polycarbonate.
- RAL 7035 polyester coating.
- 2 x 3/4" fittings entries complete with a PLG2G plugs.
- Cable gland for non-armored cable, internally sealed, thread Ø 3/4" ISO7/1.
- Yellow cable with trim in rubber resistant to oil and chemical substances. Suitable for extremely high mechanical stresses. Length 8 m.
- Bipolar plier, casting with aluminium with handles in neoprene, jaws with steel tips, auto-releasing. 16 mm opening.
- Bracket for plier in stainless steel.



Example:
GRD-4200

Electronic equipment provides earthing for tankers, rated voltage 230 Vac.

PMT EARTHING PLIERS



[Online catalogue](#)

MARKING

Ex II 2GD - Ex d IIC T6 Ex tD A21 T85°C



DEGREE OF PROTECTION

IP65

STANDARD AMBIENT TEMPERATURE

-20°C +55°C

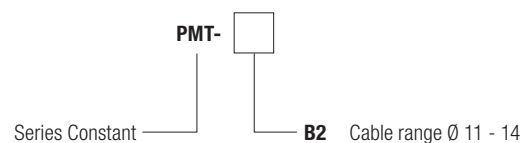
ZONE

1-2-21-22

FEATURES AND BENEFITS

PMT earthing clamp is used to connect tankers to earth during loading and unloading operations. Earthing is made inside the body of the clamp in an 'Ex d' chamber only after the clamp has been connected to the local earth installation.

- Grip in black non-slip rubber.
- External contact elements in phosphorous bronze.
- Riveted aluminium certificate label on the grip.
- Screws, bolts and nuts in stainless steel.
- Cable gland for non-armored cable, thread ISO M32.



CMD SERIES CONTROL AND SIGNALLING STATIONS



[Online catalogue](#)



MARKING

Ex db eb IIC T6, T5 Gb; Ex tb IIIC T85°C, T100°C Db

DEGREE OF PROTECTION

IP66

STANDARD AMBIENT TEMPERATURE

-40°C +40°C (T6) -40°C +55°C (T5) -40°C +60°C (T4)

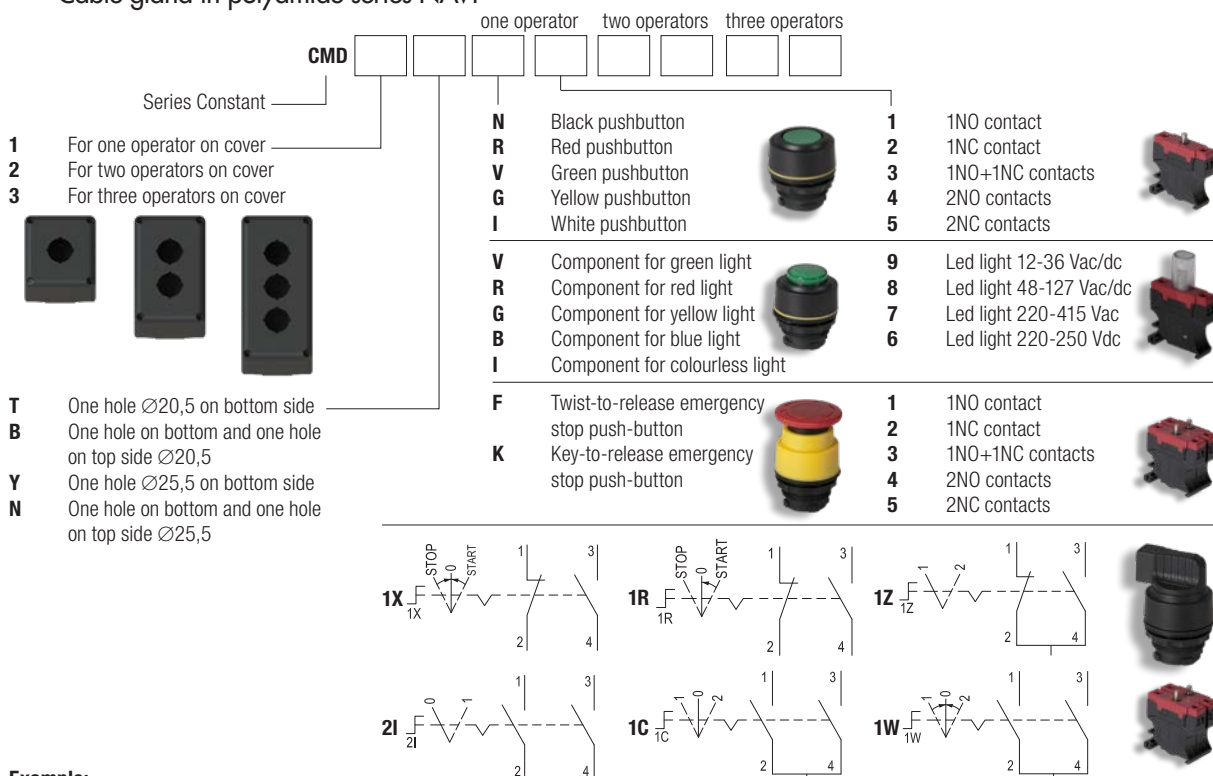
ZONE

1-2-21-22

FEATURES AND BENEFITS

The CMD command and monitoring units, in fiberglass reinforced polyester, can be equipped with a complete series of switches and control, monitoring, and signalling devices. They can be mounted both onboard machine and remotely for powering circuits such as light or motive power in any type of industrial application. The large number of components that can be installed allows a wide range of customizations to achieve the optimal solution for the operation of the system located in a hazardous area.

- Body and cover black antistatic fibreglass reinforced polyester complete with fixing lugs
- Gaskets acid, hydrocarbon and high temperature resistant silicon positioned between the body and the cover
- Captive screws stainless steel
- Earth screw internal M5 on body and cover connected to each other with a 2.5 sqmm wire
- Cable gland in polyamide series NAVP



Example:

CMD3BR9V92I

Control station "type 3" with a hole on bottom side Ø25,5, with a red led light 12-36 Vac/dc, a green led light 12-36 Vac/dc and a switch.

For other command and monitoring device see general catalog.

P, A, I SERIES CONTROL AND SIGNALLING STATIONS



[Online catalogue](#)



Type A

MARKING

Ex II 2 GD; Ex de IIC T6, T5 Gb; Ex tb IIIC T85°C Db

DEGREE OF PROTECTION

IP66

STANDARD AMBIENT TEMPERATURE

-40°C +55°C (T5) -40°C +40°C (T6)

ZONE

1-2-21-22



Type I

FEATURES AND BENEFITS

The control and monitoring units of series P, A and I... are manufactured from fibreglass reinforced polyester, aluminium or stainless steel, and are suitable for housing electrical command and signal devices. The units are preconfigured according to diagrams and can be ordered using their respective product code. They can be installed both on board the machine or remotely, and are used in the chemical, petrochemical and pharmaceutical industries. In addition to the listed standards, Cortem Group offers a wide range of accessories and versions manufactured to customer specification.

- Enclosure in polyester (type P), in aluminium (type A) or stainless steel (type I).
- Silicone gaskets.
- Stainless steel screws with a minimum quality 8.8.
- Cable gland in polyamide type NAVP20IXE for type P or A, in stainless steel type NAV20SIB for type I.

NAV SERIES CABLE GLANDS FOR NON-ARMOURED CABLES FROM 3/8" TO 4"



[Online catalogue](#)



MARKING

Ex II 2 GD - Ex db IIC Gb - Ex eb IIC Gb
Ex II 2 D - Ex tb IIIC Db
Ex II 3G Ex nR IIC Gc

DEGREE OF PROTECTION

IP66/68 (30 meters 12 hours)

STANDARD AMBIENT TEMPERATURE

-60°C +130°C


ZONE

1-2-21-22

FEATURES AND BENEFITS

NAV series cable glands are suitable for use in hazardous areas with danger of explosion to enable direct insertion of non-armoured cables into explosion-proof junction boxes, lighting fixtures, plugs and sockets, etc. Thanks to their structure, they are particularly suitable both in harsh application, such as marine one, and places subjected to stress and mechanical shock as it often happens in all those places of the "heavy" industry where safety is a top priority. They are provided with one sealing ring which tightens the incoming cable ensuring the 'Ex d' way of protection and the IP 66/68.

- Body in nickel-plated brass.
- Sealing ring. Compression ring in plastic material.
- ISO 7/1, NPT and isometric threads.
- Also available in stainless steel (sample code NAV1S), other materials on request.
- Accessories upon request available.

Code	Thread	Code	Thread	Weight Kg	 mm	Cable range
NAV01NB	3/8" NPT	NAV16IB	M16x1,5	0,086	24x34	3.5 - 8.6
NAV1SNB	1/2" NPT	NAV20SIB	M20x1,5	0,093	26x34	6.3 - 11.6
NAV1NB	1/2" NPT	NAV20IB	M20x1,5	0,126	32x37	6.5 - 14
NAV2NB	3/4" NPT	NAV25IB	M25x1,5	0,153	38x37	11 - 20
NAV3NB	1" NPT	NAV32IB	M32x1,5	0,232	47x40	17 - 27
NAV4NB	1 1/4" NPT	NAV40IB	M40x1,5	0,295	52x40	22 - 32
NAV5SNB	1 1/2" NPT	NAV50SIB	M50x1,5	0,374	57x43	29.5 - 38
NAV5NB	2" NPT	NAV50IB	M50x1,5	0,329	62x43	35.5 - 44
NAV6SNB	2" NPT	NAV63SIB	M63x1,5	0,753	77x51	40 - 50
NAV6NB	2 1/2" NPT	NAV63IB	M63x1,5	0,732	77x52	47 - 56
NAV7SNB	2 1/2" NPT	NAV75SIB	M75x1,5	0,714	82x55	53 - 62
NAV7NB	3" NPT	NAV75IB	M75x1,5	0,627	90x56	59 - 68
NAV8NB	3" NPT	NAV90IB	M90x1,5	1,384	110x59	66 - 79
NAV9NB	3 1/2" NPT	NAV100IB	M100x1,5	1,316	120x62	76 - 91
NAV10NB	4" NPT	NAV115IB	M115x1,5	1,937	130x62	86 - 98

NAVF SERIES CABLE GLANDS FOR NON-ARMOURED CABLES WITH FEMALE ENTRY



[Online catalogue](#)



MARKING

Ex II 2 GD - Ex db IIC Gb - Ex eb IIC Gb
Ex II 2 D - Ex tb IIIC Db
Ex II 3G Ex nR IIC Gc

DEGREE OF PROTECTION

IP66/68 (30 meters 12 hours)

STANDARD AMBIENT TEMPERATURE

-60°C +130°C


ZONE

1-2-21-22

FEATURES AND BENEFITS

NAVF series cable glands, with a female threaded outlet fitting, are suitable for use in areas with the risk of explosion, allowing the direct insertion of non-armoured cables in explosion proof enclosures, lighting fixtures, outlets, plugs, etc. Their structure makes them suitable for environments which are particularly difficult, such as marine environments, or where there are subjected to the mechanical stresses and impacts which often occur in heavy industry, where safety is the utmost priority. They are supplied with a sealing ring which is stretched over the cable at the inlet, ensuring 'Ex d' execution and an IP66/68 protection rating.

- Body in nickel-plated brass.
- Sealing ring. Compression ring in plastic material.
- ISO 7/1, NPT and isometric threads.
- Also available in stainless steel (sample code NAVF1S), other materials on request.
- Accessories upon request available.

Code	Thread	Code	Thread	Weight Kg	 mm	Cable range
NAVF01NB	3/8" NPT	NAVF16IB	M16x1,5	0,107	24x53	3.5 - 8.6
NAVF1SNB	1/2" NPT	NAVF20SIB	M20x1,5	0,120	26x53	6.3 - 11.6
NAVF1NB	1/2" NPT	NAVF20IB	M20x1,5	0,155	32x56	6.5 - 14
NAVF2NB	3/4" NPT	NAVF25IB	M25x1,5	0,212	38x56	11 - 20
NAVF3NB	1" NPT	NAVF32IB	M32x1,5	0,276	47x59	17 - 27
NAVF4NB	1 1/4" NPT	NAVF40IB	M40x1,5	0,365	52x59	22 - 32
NAVF5SNB	1 1/2" NPT	NAVF50SIB	M50x1,5	0,482	57x63	29.5 - 38
NAVF5NB	2" NPT	NAVF50IB	M50x1,5	0,428	62x63	35.5 - 44
NAVF6SNB	2" NPT	NAVF63SIB	M63x1,5	0,981	77x74	40 - 50
NAVF6NB	2 1/2" NPT	NAVF63IB	M63x1,5	0,741	77x75	47 - 56
NAVF7SNB	2 1/2" NPT	NAVF75SIB	M75x1,5	0,835	82x77	53 - 62
NAVF7NB	3" NPT	NAVF75IB	M75x1,5	0,934	90x78	59 - 68
NAVF8NB	3" NPT	NAVF90IB	M90x1,5	1,883	110x88	66 - 79
NAVF9NB	3 1/2" NPT	NAVF100IB	M100x1,5	1,993	120x92	76 - 91
NAVF10NB	4" NPT	NAVF115IB	M115x1,5	2,332	130x92	86 - 98

NAVN SERIES CABLE GLANDS FOR NON-ARMOURED CABLES WITH MALE ENTRY



[Online catalogue](#)



MARKING

Ex II 2 GD - Ex db IIC Gb - Ex eb IIC Gb
Ex II 2 D - Ex tb IIIC Db
Ex II 3G Ex nR IIC Gc

DEGREE OF PROTECTION

IP66/68 (30 meters 12 hours)

STANDARD AMBIENT TEMPERATURE

-60°C +130°C


ZONE

1-2-21-22

FEATURES AND BENEFITS

NAVN series cable glands, with a male outlet fitting, are suitable for use in areas with the risk of explosion, allowing the direct insertion of non-armoured cables in explosion proof enclosures, lighting fixtures, outlets, plugs, etc. Their structure makes them suitable for environments which are particularly difficult, such as marine environments, or where there are subjected to the mechanical stresses and impacts which often occur in heavy industry, where safety is the utmost priority. They are supplied with a sealing ring which is stretched over the cable at the inlet, ensuring 'Ex d' execution and an IP66/68 protection rating.

- Body in nickel-plated brass.
- Sealing ring. Compression ring in plastic material.
- ISO 7/1, NPT and isometric threads.
- Also available in stainless steel (sample code NAVN1S), other materials on request.
- Accessories upon request available.

Code	Thread	Code	Thread	Weight Kg	 mm	Cable range
NAVN01NB	3/8" NPT	NAVN16IB	M16x1,5	0,105	24x53	3.5 - 8.6
NAVN1SNB	1/2" NPT	NAVN20SIB	M20x1,5	0,122	26x53	6.3 - 11.6
NAVN1NB	1/2" NPT	NAVN20IB	M20x1,5	0,150	32x56	6.5 - 14
NAVN2NB	3/4" NPT	NAVN25IB	M25x1,5	0,192	38x56	11 - 20
NAVN3NB	1" NPT	NAVN32IB	M32x1,5	0,264	47x59	17 - 27
NAVN4NB	1 1/4" NPT	NAVN40IB	M40x1,5	0,360	52x59	22 - 32
NAVN5SNB	1 1/2" NPT	NAVN50SIB	M50x1,5	0,486	57x63	29.5 - 38
NAVN5NB	2" NPT	NAVN50IB	M50x1,5	0,392	62x63	35.5 - 44
NAVN6SNB	2" NPT	NAVN63SIB	M63x1,5	1,034	77x74	40 - 50
NAVN6NB	2 1/2" NPT	NAVN63IB	M63x1,5	0,715	77x75	47 - 56
NAVN7SNB	2 1/2" NPT	NAVN75SIB	M75x1,5	0,984	82x77	53 - 62
NAVN7NB	3" NPT	NAVN75IB	M75x1,5	0,948	90x78	59- 68
NAVN8NB	3" NPT	NAVN90IB	M90x1,5	1,804	110x88	66 - 79
NAVN9NB	3 1/2" NPT	NAVN100IB	M100x1,5	1,858	120x92	76 - 91
NAVN10NB	4" NPT	NAVN115IB	M115x1,5	2,779	130x92	86 - 98

NEV SERIES CABLE GLANDS FOR ARMoured CABLES FROM 3/8" TO 4"



[Online catalogue](#)



MARKING

Ex II 2 GD - Ex db IIC Gb - Ex eb IIC Gb
Ex II 2 D - Ex tb IIIC Db
Ex II 3G Ex nR IIC Gc

DEGREE OF PROTECTION

IP66/68 (30 meters 12 hours)

STANDARD AMBIENT TEMPERATURE

-60°C +130°C


ZONE

1-2-21-22

FEATURES AND BENEFITS

NEV series cable glands are suitable for use in areas with the risk of explosion, allowing the direct insertion of non-armoured cables in explosion proof enclosures. They are supplied with a sealing ring which is stretched over the cable at the inlet to guarantee 'Ex d' execution, and a second compression ring which is stretched over the cable armour at the outlet to guarantee an IP 66/68 protection rating. Their structure makes them suitable for environments which are particularly difficult, such as marine environments, or where there are subjected to the mechanical stresses and impacts which often occur in heavy industry, where safety is the utmost priority.

- Body in nickel-plated brass.
- Two sealing rings.
- ISO 7/1, NPT and isometric threads.
- Also available in stainless steel (sample code NEV1S), other materials on request.
- Accessories upon request available.

Code	Thread	Code	Thread	Weight Kg	 mm	Cable range Internal cable sheath	Cable range Outer sheath of the cable
NEV01NB	3/8" NPT	NEV16IB	M16x1,5	0,145	24x59	3.5 - 8.6	6 - 13.2
NEV1SNB	1/2" NPT	NEV20SIB	M20x1,5	0,157	26x59	6.3 - 11.6	9.5 - 16
NEV1NB	1/2" NPT	NEV20IB	M20x1,5	0,215	32x61	6.5 - 14	12.5 - 21
NEV2NB	3/4" NPT	NEV25IB	M25x1,5	0,261	38x61	11 - 20	20 - 27.5
NEV3NB	1" NPT	NEV32IB	M32x1,5	0,433	47x72	17 - 27	23.5 - 34
NEV4NB	1 1/4" NPT	NEV40IB	M40x1,5	0,514	52x73	22 - 32	26 - 40
NEV5SNB	1 1/2" NPT	NEV50SIB	M50x1,5	0,610	57x80	29.5 - 38	35 - 46.5
NEV5NB	2" NPT	NEV50IB	M50x1,5	0,562	62x81	35.5 - 44	38 - 53
NEV6SNB	2" NPT	NEV63SIB	M63x1,5	1,151	77x91	40 - 50	45.5 - 59.5
NEV6NB	2 1/2" NPT	NEV63IB	M63x1,5	1,100	82x93	47 - 56	54.5 - 66
NEV7SNB	2 1/2" NPT	NEV75SIB	M75x1,5	1,308	90x97	53 - 62	57 - 72
NEV7NB	3" NPT	NEV75IB	M75x1,5	1,538	100x99	59- 68	66.5 - 78.5
NEV8NB	3" NPT	NEV90IB	M90x1,5	2,000	110x104	66 - 79	76.5 - 90
NEV9NB	3 1/2" NPT	NEV100IB	M100x1,5	2,381	120x111	76 - 91	86 - 101
NEV10NB	4" NPT	NEV115IB	M115x1,5	2,783	130x112	86 - 98	100 - 110

NEVL SERIES CABLE GLANDS FOR LEAD SHEATHED ARMoured CABLES



[Online catalogue](#)



MARKING

Ex II 2 GD - Ex db IIC Gb - Ex eb IIC Gb
Ex II 2 D - Ex tb IIIC Db
Ex II 3G Ex nR IIC Gc

DEGREE OF PROTECTION

IP66/68 (30 meters 12 hours)

STANDARD AMBIENT TEMPERATURE

-60°C +130°C

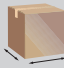
ZONE

1-2-21-22

FEATURES AND BENEFITS

NEVL series cable glands are suitable for use in areas with the risk of explosion, allowing the direct insertion of armoured cables in explosion proof enclosures and the installation of lead sheathed cables. They are supplied with a sealing ring which is stretched over the cable at the inlet to guarantee 'Ex d' execution, and a second compression ring which is stretched over the cable armour at the outlet to guarantee an IP 66/68 protection rating, and a metal ring which affixes to the outer surface of the lead sheath as it is wound, fastening it in place.

- Body in nickel-plated brass.
- Two sealing rings.
- ISO 7/1, NPT and isometric threads.
- Also available in stainless steel (sample code NEVL1S), other materials on request.
- Accessories upon request available.

Code	Thread	Code	Thread	Weight Kg	 mm	Cable range Internal cable sheath	Cable range Outer sheath of the cable
NEVL01NB	3/8" NPT	NEVL16IB	M16x1,5	0,145	24x59	3.5 - 8.6	6 - 13.2
NEVL1SNB	1/2" NPT	NEVL20SIB	M20x1,5	0,157	26x59	6.3 - 11.6	9.5 - 16
NEVL1NB	1/2" NPT	NEVL20IB	M20x1,5	0,215	32x61	6.5 - 14	12.5 - 21
NEVL2NB	3/4" NPT	NEVL25IB	M25x1,5	0,261	38x61	11 - 20	20 - 27.5
NEVL3NB	1" NPT	NEVL32IB	M32x1,5	0,433	47x72	17 - 27	23.5 - 34
NEVL4NB	1 1/4" NPT	NEVL40IB	M40x1,5	0,514	52x73	22 - 32	26 - 40
NEVL5SNB	1 1/2" NPT	NEVL50SIB	M50x1,5	0,610	57x80	29.5 - 38	35 - 46.5
NEVL5NB	2" NPT	NEVL50IB	M50x1,5	0,562	62x81	35.5 - 44	38 - 53
NEVL6SNB	2" NPT	NEVL63SIB	M63x1,5	1,151	77x91	40 - 50	45.5 - 59.5
NEVL6NB	2 1/2" NPT	NEVL63IB	M63x1,5	1,100	82x93	47 - 56	54.5 - 66
NEVL7SNB	2 1/2" NPT	NEVL75SIB	M75x1,5	1,308	90x97	53 - 62	57 - 72
NEVL7NB	3" NPT	NEVL75IB	M75x1,5	1,538	100x99	59 - 68	66.5 - 78.5
NEVL8NB	3" NPT	NEVL90IB	M90x1,5	2,000	110x104	66 - 79	76.5 - 90
NEVL9NB	3 1/2" NPT	NEVL100IB	M100x1,5	2,381	120x111	76 - 91	86 - 101
NEVL10NB	4" NPT	NEVL115IB	M115x1,5	2,783	130x112	86 - 98	100 - 110

NAVB SERIES BARRIER CABLE GLANDS FOR NON-ARMOURED CABLES FROM 3/8" TO 4"



[Online catalogue](#)



MARKING

Ex II 2 GD - Ex db IIC Gb - Ex eb IIC Gb
Ex II 2 D - Ex tb IIIC Db
Ex II 3G Ex nR IIC Gc

DEGREE OF PROTECTION

IP66/67

STANDARD AMBIENT TEMPERATURE

-60°C +100°C

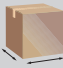
ZONE

1-2-21-22

FEATURES AND BENEFITS

The NAVB series barrier cable glands for non-armoured cable are designed to guarantee the IP66/67 protection and the explosion protection 'Ex db IIC; Ex eb IIC' in applications where installation requirements are needed in accordance with the EN - IEC 60079-14: 2015 standard. The barrier is formed around the conductors thanks to the particular mixture that flows through them in the special bushing ensuring a complete seal. The liquid resin used prevents the formation of air pockets or voids between the conductors and the bushing (typical problems found with malleable resins).

- Body in nickel-plated brass.
- Sealing ring. Compression ring in plastic material.
- ISO 7/1, NPT and isometric threads.
- Also available in stainless steel (sample code NAVB1S), other materials on request.
- Accessories upon request available.
- Resin kit available separately.

Code	Thread	Code	Thread	Weight Kg	 mm	Ød cable max	Range Ø cover cores	n. max cables
NAVB01NB	3/8" NPT	NAVB16IB	M16x1,5	0,094	24x29.5	7.1	5.5	11
NAVB1SNB	1/2" NPT	NAVB20SIB	M20x1,5	0,093	26x30	11.6	10	11
NAVB1NB	1/2" NPT	NAVB20IB	M20x1,5	0,126	32x33	13.2	11	11
NAVB2NB	3/4" NPT	NAVB25IB	M25x1,5	0,153	38x32	18.6	15	21
NAVB3NB	1" NPT	NAVB32IB	M32x1,5	0,232	47x33	25	21	38
NAVB4NB	1 ¼" NPT	NAVB40IB	M40x1,5	0,295	52x34	31.8	27	59
NAVB5SNB	1 ½" NPT	NAVB50SIB	M50x1,5	0,374	57x36	38	33	89
NAVB5NB	2" NPT	NAVB50IB	M50x1,5	0,329	62x36	42	35	89
NAVB6SNB	2" NPT	NAVB63SIB	M63x1,5	0,753	77x46.5	50	43	115
NAVB6NB	2 ½" NPT	NAVB63IB	M63x1,5	0,732	77x47.5	54	45	115
NAVB7SNB	2 ½" NPT	NAVB75SIB	M75x1,5	0,714	82x51	62	53	140
NAVB7NB	3" NPT	NAVB75IB	M75x1,5	0,627	90x51	65	55	140
NAVB8NB	3" NPT	NAVB90IB	M90x1,5	1,384	110x53.5	78.1	65	200
NAVB9NB	3 ½" NPT	NAVB100IB	M100x1,5	1,316	120x58	86	72	200
NAVB10NB	4" NPT	NAVB115IB	M115x1,5	1,937	130x57.5	98	85	200

NAVBF SERIES BARRIER CABLE GLANDS FOR NON-ARMOURED CABLES WITH FEMALE ENTRY



[Online catalogue](#)



MARKING

Ex II 2 GD - Ex db IIC Gb - Ex eb IIC Gb
Ex II 2 D - Ex tb IIIC Db
Ex II 3G Ex nR IIC Gc

DEGREE OF PROTECTION

IP66/67

STANDARD AMBIENT TEMPERATURE

-60°C +100°C


ZONE

1-2-21-22

FEATURES AND BENEFITS

The NAVBF series barrier cable glands for non-armoured cable with female entry are designed to guarantee the IP66/67 protection and the explosion protection 'Ex db IIC; Ex eb IIC' in applications where installation requirements are needed in accordance with the EN - IEC 60079-14: 2015 standard. The barrier is formed around the conductors thanks to the particular mixture that flows through them in the special bushing ensuring a complete seal. The liquid resin used prevents the formation of air pockets or voids between the conductors and the bushing (typical problems found with malleable resins).

- Body in nickel-plated brass.
- Sealing ring. Compression ring in plastic material.
- ISO 7/1, NPT and isometric threads.
- Also available in stainless steel (sample code NAVBF1S), other materials on request.
- Accessories upon request available.
- Resin kit available separately.

Code	Thread	Code	Thread	Weight Kg	 mm	Ød cable max	Range Ø cover cores	n. max cables
NAVBF01NB	3/8" NPT	NAVBF16IB	M16x1,5	0,117	24x48.5	8.6	5.5	11
NAVBF1SNB	1/2" NPT	NAVBF20SIB	M20x1,5	0,130	26x49	11.6	10	11
NAVBF1NB	1/2" NPT	NAVBF20IB	M20x1,5	0,170	32x52.5	14	11	11
NAVBF2NB	3/4" NPT	NAVBF25IB	M25x1,5	0,233	38x51.5	20	15	21
NAVBF3NB	1" NPT	NAVBF32IB	M32x1,5	0,303	47x52.5	27	21	38
NAVBF4NB	1 1/4" NPT	NAVBF40IB	M40x1,5	0,401	52x53.5	32	27	59
NAVBF5SNB	1 1/2" NPT	NAVBF50SIB	M50x1,5	0,530	57x56.5	38	33	89
NAVBF5NB	2" NPT	NAVBF50IB	M50x1,5	0,470	62x56.5	44	35	89
NAVBF6SNB	2" NPT	NAVBF63SIB	M63x1,5	1,079	77x69	50	43	115
NAVBF6NB	2 1/2" NPT	NAVBF63IB	M63x1,5	0,815	77x70	56	45	115
NAVBF7SNB	2 1/2" NPT	NAVBF75SIB	M75x1,5	0,918	82x73.5	62	53	140
NAVBF7NB	3" NPT	NAVBF75IB	M75x1,5	1,027	90x73.5	68	55	140
NAVBF8NB	3" NPT	NAVBF90IB	M90x1,5	2,071	110x82	79	65	200
NAVBF9NB	3 1/2" NPT	NAVBF100IB	M100x1,5	2,192	120x88	91	72	200
NAVBF10NB	4" NPT	NAVBF115IB	M115x1,5	2,565	130x87.5	98	85	200

NAVBN SERIES BARRIER CABLE GLANDS FOR NON-ARMOURED CABLES WITH MALE ENTRY



[Online catalogue](#)



MARKING

Ex II 2 GD - Ex db IIC Gb - Ex eb IIC Gb
Ex II 2 D - Ex tb IIIC Db
Ex II 3G Ex nR IIC Gc

DEGREE OF PROTECTION

IP66/67

STANDARD AMBIENT TEMPERATURE

-60°C +100°C


ZONE

1-2-21-22

FEATURES AND BENEFITS

The NAVBN series barrier cable glands for non-armoured cable with male entry are designed to guarantee the IP66/67 protection and the explosion protection 'Ex db IIC; Ex eb IIC' in applications where installation requirements are needed in accordance with the EN - IEC 60079-14: 2015 standard. The barrier is formed around the conductors thanks to the particular mixture that flows through them in the special bushing ensuring a complete seal. The liquid resin used prevents the formation of air pockets or voids between the conductors and the bushing (typical problems found with malleable resins).

- Body in nickel-plated brass.
- Sealing ring. Compression ring in plastic material.
- ISO 7/1, NPT and isometric threads.
- Also available in stainless steel (sample code NAVBN1S), other materials on request.
- Accessories upon request available.
- Resin kit available separately.

Code	Thread	Code	Thread	Weight Kg	 mm	Ød cable max	Range Ø cover cores	n. max cables
NAVBN01NB	3/8" NPT	NAVBN16IB	M16x1,5	0,117	24x47.5	8.6	5.5	11
NAVBN1SNB	1/2" NPT	NAVBN20SIB	M20x1,5	0,130	26x48	11.6	10	11
NAVBN1NB	1/2" NPT	NAVBN20IB	M20x1,5	0,170	32x51.5	14	11	11
NAVBN2NB	3/4" NPT	NAVBN25IB	M25x1,5	0,233	38x50.5	20	15	21
NAVBN3NB	1" NPT	NAVBN32IB	M32x1,5	0,303	47x51.5	27	21	38
NAVBN4NB	1 1/4" NPT	NAVBN40IB	M40x1,5	0,401	52x52.5	32	27	59
NAVBN5SNB	1 1/2" NPT	NAVBN50SIB	M50x1,5	0,530	57x54.5	38	33	89
NAVBN5NB	2" NPT	NAVBN50IB	M50x1,5	0,470	62x54.5	44	35	89
NAVBN6SNB	2" NPT	NAVBN63SIB	M63x1,5	1,079	77x67	50	43	115
NAVBN6NB	2 1/2" NPT	NAVBN63IB	M63x1,5	0,815	77x67	56	45	115
NAVBN7SNB	2 1/2" NPT	NAVBN75SIB	M75x1,5	0,918	82x71.5	62	53	140
NAVBN7NB	3" NPT	NAVBN75IB	M75x1,5	1,027	90x71.5	68	55	140
NAVBN8NB	3" NPT	NAVBN90IB	M90x1,5	2,071	110x80	79	65	200
NAVBN9NB	3 1/2" NPT	NAVBN100IB	M100x1,5	2,192	120x86	91	72	200
NAVBN10NB	4" NPT	NAVBN115IB	M115x1,5	2,565	130x85.5	98	85	200

NAVGB SERIES BARRIER CABLE GLANDS FOR NON-ARMOURED CABLES WITH GASKET



[Online catalogue](#)



MARKING

Ex II 2 GD - Ex db IIC Gb - Ex eb IIC Gb
Ex II 2 D - Ex tb IIIC Db
Ex II 3G Ex nR IIC Gc

DEGREE OF PROTECTION

IP66/67

STANDARD AMBIENT TEMPERATURE

-60°C +100°C


ZONE

1-2-21-22

FEATURES AND BENEFITS

The NAVGB series barrier cable glands for non-armoured cable are designed to guarantee the IP66/67 protection and the explosion protection 'Ex db IIC; Ex eb IIC' in applications where installation requirements are needed in accordance with the EN - IEC 60079-14: 2015 standard. The NAVGB cable glands are equipped with an additional gasket to tighten the cable inside the cable gland. The barrier is formed around the conductors thanks to the particular mixture that flows through them in the special bushing ensuring a complete seal. The liquid resin used prevents the formation of air pockets or voids between the conductors and the bushing.

- Body in nickel-plated brass.
- Sealing ring. Compression ring in plastic material.
- ISO 7/1, NPT and isometric threads.
- Also available in stainless steel (sample code NAVBF1S), other materials on request.
- Accessories upon request available.
- Resin kit available separately.

Code	Thread	Code	Thread	Weight Kg	 mm	Ød cable	Range Ø cover cores	n. max cables
NAVGB01NB	3/8" NPT	NAVGB16IB	M16x1,5	0,130	24x54	3.5 - 8.6	5.5	11
NAVGB1SNB	1/2" NPT	NAVGB20SIB	M20x1,5	0,141	26x54	6.3 - 11.6	10	11
NAVGB1NB	1/2" NPT	NAVGB20IB	M20x1,5	0,193	32x57	6.5 - 14	11	11
NAVGB2NB	3/4" NPT	NAVGB25IB	M25x1,5	0,234	38x57	11 - 20	15	21
NAVGB3NB	1" NPT	NAVGB32IB	M32x1,5	0,389	47x62	17 - 27	21	38
NAVGB4NB	1 1/4" NPT	NAVGB40IB	M40x1,5	0,462	52x62	22 - 32	27	59
NAVGB5SNB	1 1/2" NPT	NAVGB50SIB	M50x1,5	0,549	57x65	29.5 - 38	33	89
NAVGB5NB	2" NPT	NAVGB50IB	M50x1,5	0,505	62x65	35.5 - 44	35	89
NAVGB6SNB	2" NPT	NAVGB63SIB	M63x1,5	1,035	77x77.5	40 - 50	43	115
NAVGB6NB	2 1/2" NPT	NAVGB63IB	M63x1,5	0,990	82x78.5	47 - 56	45	115
NAVGB7SNB	2 1/2" NPT	NAVGB75SIB	M75x1,5	1,177	90x84	53 - 62	53	140
NAVGB7NB	3" NPT	NAVGB75IB	M75x1,5	1,384	100x85	59 - 68	55	140
NAVGB8NB	3" NPT	NAVGB90IB	M90x1,5	1,800	110x91	66 - 79	65	200
NAVGB9NB	3 1/2" NPT	NAVGB100IB	M100x1,5	2,142	120x94	76 - 91	72	200
NAVGB10NB	4" NPT	NAVGB115IB	M115x1,5	2,504	130x93.5	86 - 98	85	200

NEVB SERIES BARRIER CABLE GLANDS FOR ARMoured CABLES



[Online catalogue](#)



MARKING

Ex II 2 GD - Ex db IIC Gb - Ex eb IIC Gb
Ex II 2 D - Ex tb IIIC Db
Ex II 3G Ex nR IIC Gc

DEGREE OF PROTECTION

IP66/67

STANDARD AMBIENT TEMPERATURE

-60°C +100°C


ZONE

1-2-21-22

FEATURES AND BENEFITS

The NEVB series barrier cable glands for armored cable are designed to guarantee the IP66/67 protection and the explosion protection 'Ex db IIC; Ex eb IIC' in applications where installation requirements are needed in accordance with the EN - IEC 60079-14: 2015 standard. The barrier is formed around the conductors thanks to the particular mixture that flows through them in the special bushing ensuring a complete seal. The liquid resin used prevents the formation of air pockets or voids between the conductors and the bushing (typical problems found with malleable resins).

- Body in nickel-plated brass.
- Sealing ring. Compression ring in plastic material.
- ISO 7/1, NPT and isometric threads.
- Also available in stainless steel (sample code NAVBN1S), other materials on request.
- Accessories upon request available.
- Resin kit available separately.

Code	Thread	Code	Thread	Weight Kg	 mm	Ød cable	Range Ø cover cores	n. max cables
NEVB01NB	3/8" NPT	NEVB16IB	M16x1,5	0,159	24x 52	6 - 13.2	5.5	11
NEVB1SNB	1/2" NPT	NEVB20SIB	M20x1,5	0,172	26x 53	9.5 - 16	10	11
NEVB1NB	1/2" NPT	NEVB20IB	M20x1,5	0,236	32x 59	12.5 - 21	11	11
NEVB2NB	3/4" NPT	NEVB25IB	M25x1,5	0,287	38x 55	20 - 27.5	15	21
NEVB3NB	1" NPT	NEVB32IB	M32x1,5	0,476	47x 63	23.5 - 34	21	38
NEVB4NB	1 1/4" NPT	NEVB40IB	M40x1,5	0,565	52x 65	26 - 40	27	59
NEVB5SNB	1 1/2" NPT	NEVB50SIB	M50x1,5	0,671	57x 69	35 - 46.5	33	89
NEVB5NB	2" NPT	NEVB50IB	M50x1,5	0,618	62x 69	38 - 53	35	89
NEVB6SNB	2" NPT	NEVB63SIB	M63x1,5	1,266	77x 81	45.5 - 59.5	43	115
NEVB6NB	2 1/2" NPT	NEVB63IB	M63x1,5	1,210	82x 83	54.5 - 66	45	115
NEVB7SNB	2 1/2" NPT	NEVB75SIB	M75x1,5	1,438	90x 87	57 - 72	53	140
NEVB7NB	3" NPT	NEVB75IB	M75x1,5	1,691	100x 88	66.5 - 78.5	55	140
NEVB8NB	3" NPT	NEVB90IB	M90x1,5	2,200	110x 92	76.5 - 90	65	200
NEVB9NB	3 1/2" NPT	NEVB100IB	M100x1,5	2,619	120x 100	86 - 101	72	200
NEVB10NB	4" NPT	NEVB115IB	M115x1,5	3,061	130x 100	100 - 110	85	200

NAV P SERIES CABLE GLANDS IN POLYAMIDE FOR NON-ARMOURED CABLES



[Online catalogue](#)



MARKING

Ex II 2 GD - Ex e IIC Gb Ex tb IIIC Db IP66/68

DEGREE OF PROTECTION

IP66/68

STANDARD AMBIENT TEMPERATURE

-60°C +70°C


ZONE

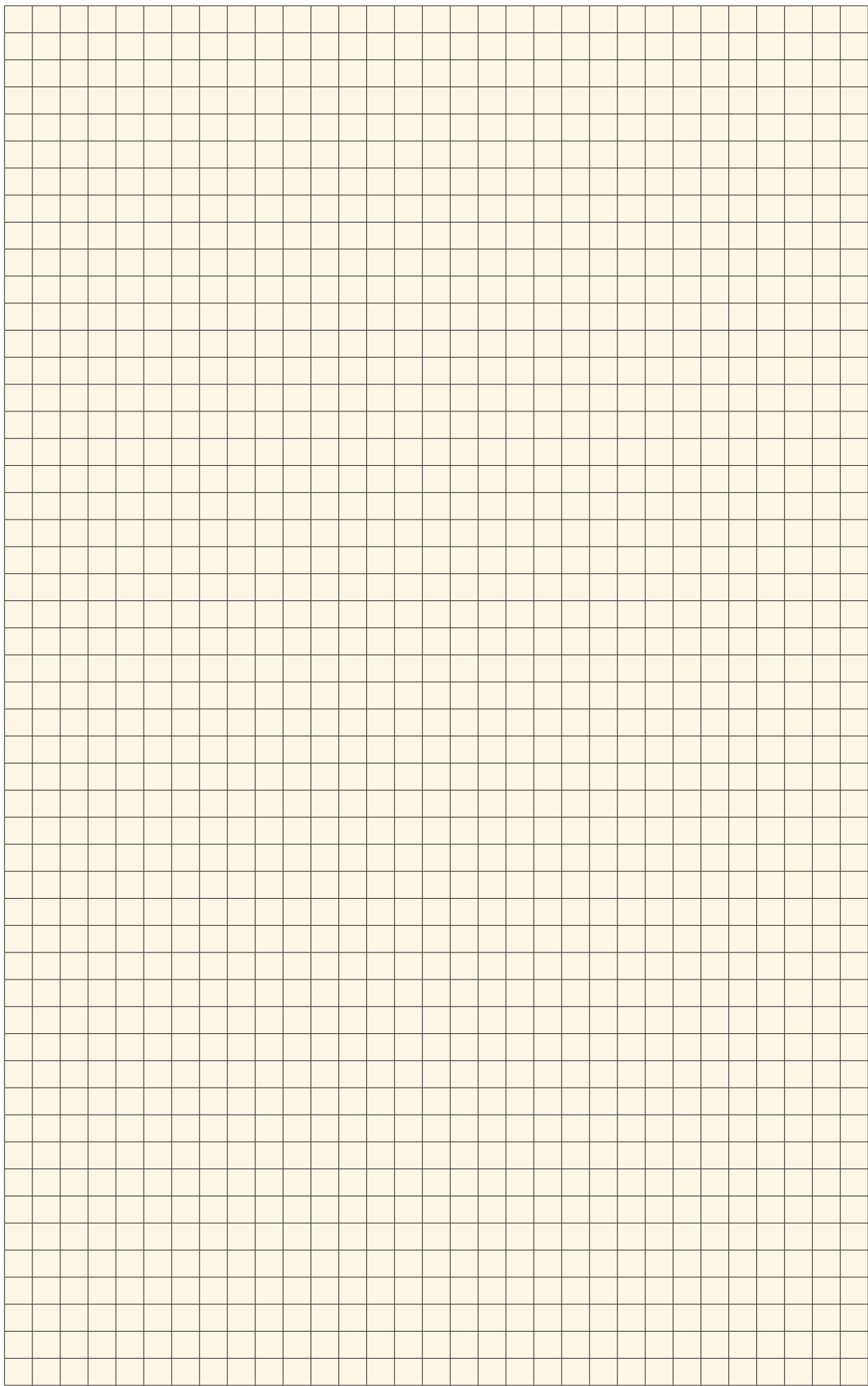
1-2-21-22

FEATURES AND BENEFITS

NAV P series cable glands in polyamide with ISO thread are used in hazardous areas to allow direct insertions of unarmoured cables into 'Ex e' (NAV P...IXE) or 'Ex i' (NAV P...IXI) equipment or junction boxes. They can be installed easily, they are strikes resistant until 7J and they ensure 'Ex e' and IP protection on the cable external sheath.

- Polyamide 6, silicone gaskets.
- ISO lead 1,5 thread.
- RAL 9005 black colour (Ex e) or RAL 5015 blue colour (Ex i).

Code	Thread	Weight Kg	 mm	Cable range
NAV P12IXE	M12x1,5	0,004	32x15	4 - 6,5
NAV P16IXE	M16x1,5	0,006	44,5x22	6 - 10
NAV P20IXE	M20x1,5	0,010	45x24	7 - 12
NAV P25IXE-X6DS	M25x1,5	0,016	50x33	10 - 18
NAV P25IXE	M25x1,5	0,016	50x33	14 - 18
NAV P32IXE	M32x1,5	0,042	55,5x42	19 - 25
NAV P40IXE	M40x1,5	0,074	68x53	23 - 32
NAV P50IXE	M50x1,5	-	72x60	31 - 38
NAV P63IXE	M63x1,5	-	72x65	35 - 44
NAV P12IXI	M12x1,5	0,004	32x15	4 - 6,5
NAV P16IXI	M16x1,5	0,006	44,5x22	6 - 10
NAV P20IXI	M20x1,5	0,010	45x24	7 - 12
NAV P25IXI	M25x1,5	0,016	50x33	14 - 18
NAV P32IXI	M32x1,5	0,042	50x33	19 - 25
NAV P40IXI	M40x1,5	0,074	55,5x42	23 - 32
NAV P50IXI	M50x1,5	-	68x53	31 - 38
NAV P63IXI	M63x1,5	-	72x60	35 - 44



BMF three pieces unions fixed male/turning female - IIB



[Online catalogue](#)



MARKING

Ex II 2 GD Ex db IIB Gb Ex tb IIIC Db

DEGREE OF PROTECTION

IP66/67

STANDARD AMBIENT TEMPERATURE

-20°C +60°C Galvanised steel, Nickel-plated brass
-60°C +60°C Stainless steel

ZONE

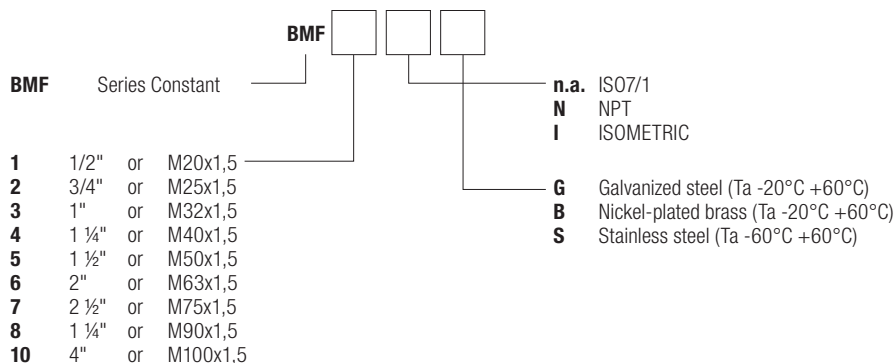
1-2-21-22

FEATURES AND BENEFITS

BMF series three pieces unions for IIB gas group enable an independent rotation and the connection between pipes, enclosures or different equipment.

- Quick and easy to be fitted on.
- High quality materials suitable for outdoor and indoor applications.
- The silicone O-ring for the IP protection for cylindrical threads (ISO metric) is supplied already assembled on the union.

Order code logic



Example:

BMF1NG Three pieces unions fixed male/turning female - IIB size 1/2" NPT, in galvanized steel.

BFF three pieces unions fixed female/turning female - IIB



[Online catalogue](#)



MARKING

Ex II 2 GD Ex db IIB Gb Ex tb IIIC Db

DEGREE OF PROTECTION

IP66/67

STANDARD AMBIENT TEMPERATURE

-20°C +60°C Galvanised steel, Nickel-plated brass
-60°C +60°C Stainless steel

ZONE

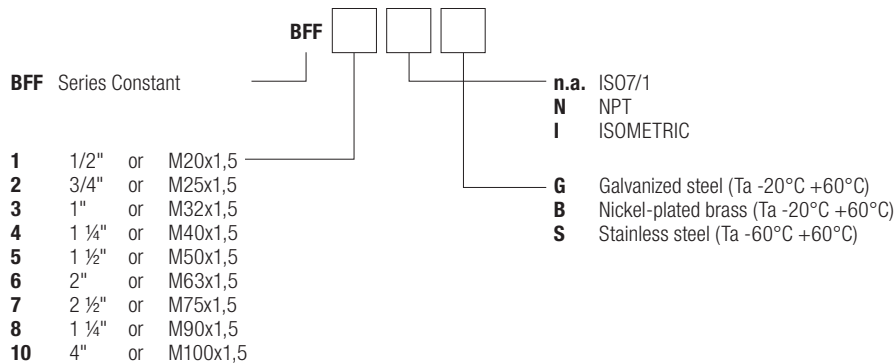
1-2-21-22

FEATURES AND BENEFITS

BFF series three pieces unions for IIB gas group enable an independent rotation and connection between pipes, enclosures or different equipment.

- Quick and easy to be fitted on.
- High quality materials suitable for outdoor and indoor applications.
- The silicone O-ring for the IP protection for cylindrical threads (ISO metric) is supplied already assembled on the union.

Order code logic



Example:

BFF1NG Three pieces unions fixed female / turning female - IIB 1/2" NPT, in galvanized steel.

BMM three pieces unions fixed male/turning male - IIB



[Online catalogue](#)



MARKING

Ex II 2 GD Ex db IIB Gb Ex tb IIIC Db

DEGREE OF PROTECTION

IP66/67

STANDARD AMBIENT TEMPERATURE

-20°C +60°C Galvanised steel, Nickel-plated brass
-60°C +60°C Stainless steel

ZONE

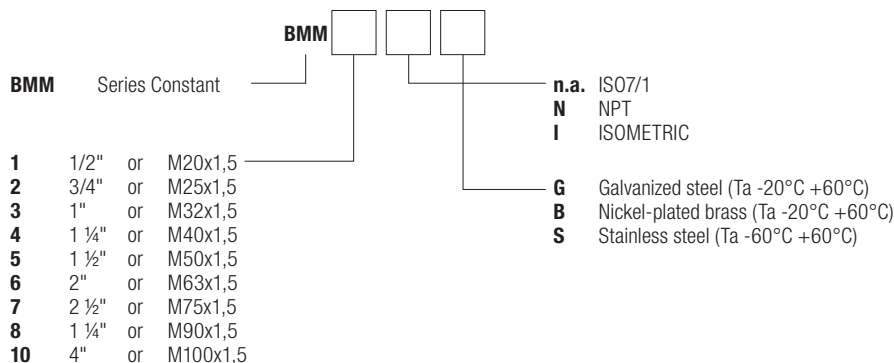
1-2-21-22

FEATURES AND BENEFITS

BMM series three pieces unions for IIB gas group enable an independent rotation and connection between pipes, enclosures or different equipment.

- Quick and easy to be fitted on.
- High quality materials suitable for outdoor and indoor applications.
- The silicone O-ring for the IP protection for cylindrical threads (ISO metric) is supplied already assembled on the union.

Order code logic



Example:

BMM1NG Three pieces unions fixed male / turning male - IIB size 1/2" NPT, in galvanized steel.

RBMF three pieces unions fixed male/turning female - IIB high temperatures



[Online catalogue](#)



MARKING

Ex II 2 GD Ex db IIB Gb Ex tb IIIC Db

DEGREE OF PROTECTION

IP66/67

STANDARD AMBIENT TEMPERATURE

-20°C +150°C Galvanised steel, Nickel-plated brass
-60°C +150°C Stainless steel

ZONE

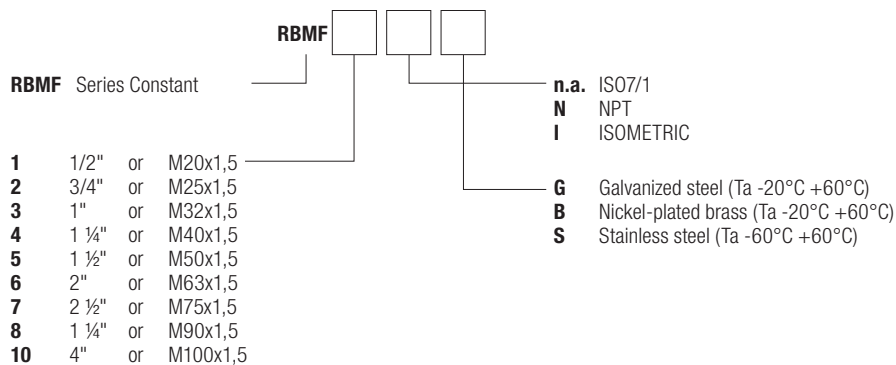
1-2-21-22

FEATURES AND BENEFITS

RBMF series three pieces unions suitable for IIB gas group and extreme temperatures enable an independent rotation and connection between pipes, enclosures or different equipment.

- Quick and easy to be fitted on.
- High quality materials suitable for outdoor and indoor applications.
- The silicone O-ring for the IP protection for cylindrical threads (ISO metric) is supplied already assembled on the union.

Order code logic



Example:

RBMF1NG Three pieces unions fixed male / turning Female - IIB high temperatures size 1/2" NPT, in galvanized steel.

RBFF three pieces unions fixed female/turning female - IIB high temperatures



[Online catalogue](#)



MARKING

Ex II 2 GD Ex db IIB Gb Ex tb IIIC Db

DEGREE OF PROTECTION

IP66/67

STANDARD AMBIENT TEMPERATURE

-20°C +150°C Galvanised steel, Nickel-plated brass
-60°C +150°C Stainless steel

ZONE

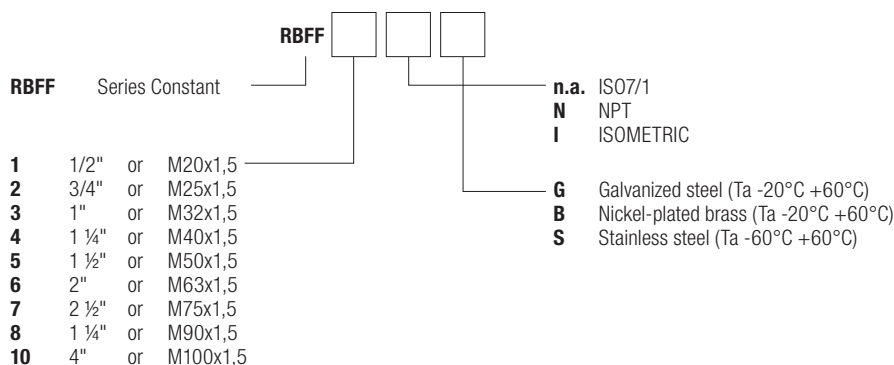
1-2-21-22

FEATURES AND BENEFITS

RBFF series three pieces unions suitable for IIB gas group and extreme temperatures enable an independent rotation and connection between pipes, enclosures or different instruments.

- Quick and easy to be fitted on.
- High quality materials suitable for outdoor and indoor applications.
- The silicone O-ring for the IP protection for cylindrical threads (ISO metric) is supplied already assembled on the union.

Order code logic



Example:

RBFF1NG Three pieces unions fixed female/turning female - IIB high temperatures size 1/2" NPT, in galvanized steel.

RBMM three pieces unions fixed male/turning male - IIB high temperatures



[Online catalogue](#)



MARKING

Ex II 2 GD Ex db IIB Gb Ex tb IIIC Db

DEGREE OF PROTECTION

IP66/67

STANDARD AMBIENT TEMPERATURE

-20°C +150°C Galvanised steel, Nickel-plated brass
-60°C +150°C Stainless steel

ZONE

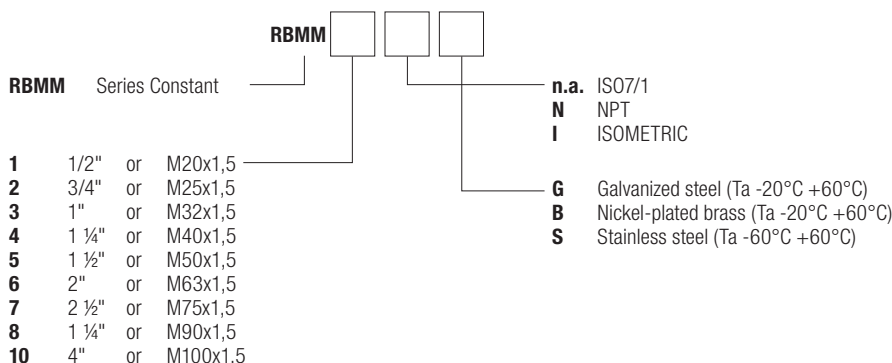
1-2-21-22

FEATURES AND BENEFITS

RBMM series three pieces unions suitable for IIB gas group and extreme temperatures enable an independent rotation and connection between pipes, enclosures or different instruments.

- Quick and easy to be fitted on.
- High quality materials suitable for outdoor and indoor applications.
- The silicone O-ring for the IP protection for cylindrical threads (ISO metric) is supplied already assembled on the union.

Order code logic



Example:

RBMM1NG Three pieces unions fixed male / turning male - IIB high temperatures Fixed male / Turning Male - IIB size 1/2" NPT, in galvanized steel.

RMF three pieces unions fixed male/turning female - IIC



[Online catalogue](#)



MARKING

Ex II 2 GD Ex db IIC Gb Ex tb IIIC Db

DEGREE OF PROTECTION

IP66/67

STANDARD AMBIENT TEMPERATURE

-20°C +60°C Galvanised steel, Nickel-plated brass
-60°C +60°C Stainless steel

ZONE

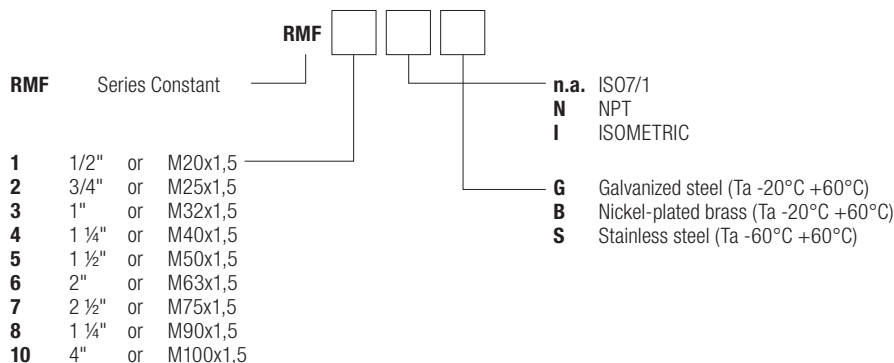
1-2-21-22

FEATURES AND BENEFITS

RMF series three pieces unions for IIC gas group enable an independent rotation and connection between pipes, enclosures or different instruments.

- Quick and easy to be fitted on.
- High quality materials suitable for outdoor and indoor applications.
- The silicone O-ring for the IP protection for cylindrical threads (ISO metric) is supplied already assembled on the union.

Order code logic



Example:

RMF1NG Three pieces unions fixed male/turning female - IIC size 1/2" NPT, galvanized steel material.

RFF three pieces unions fixed female/turning female - IIC



[Online catalogue](#)



MARKING

Ex II 2 GD Ex db IIC Gb Ex tb IIIC Db

DEGREE OF PROTECTION

IP66/67

STANDARD AMBIENT TEMPERATURE

-20°C +60°C Galvanised steel, Nickel-plated brass
-60°C +60°C Stainless steel

ZONE

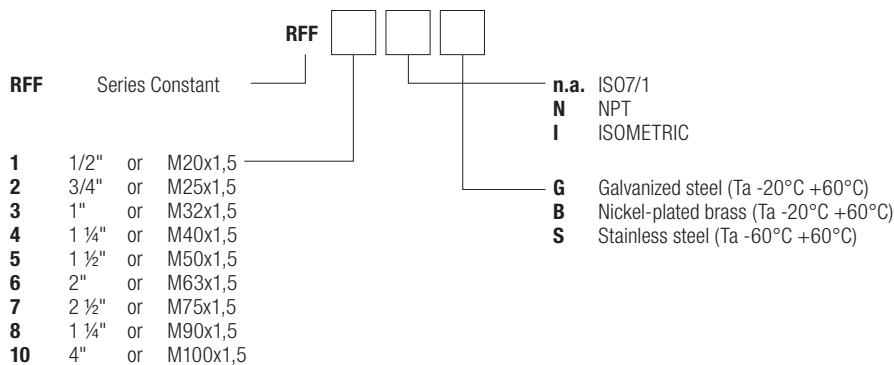
1-2-21-22

FEATURES AND BENEFITS

RFF series three pieces unions for IIC gas group enable an independent rotation and connection between pipes, enclosures or different equipment.

- Quick and easy to be fitted on.
- High quality materials suitable for outdoor and indoor applications.
- The silicone O-ring for the IP protection for cylindrical threads (ISO metric) is supplied already assembled on the union.

Order code logic



Example:

RFF1NG Three pieces unions fixed female/turning female - IIC size 1/2" NPT, galvanized steel material.

RMM three pieces unions fixed male/turning female - IIC



[Online catalogue](#)



MARKING

Ex II 2 GD Ex db IIC Gb Ex tb IIIC Db

DEGREE OF PROTECTION

IP66/67

STANDARD AMBIENT TEMPERATURE

-20°C +60°C Galvanised steel, Nickel-plated brass
-60°C +60°C Stainless steel

ZONE

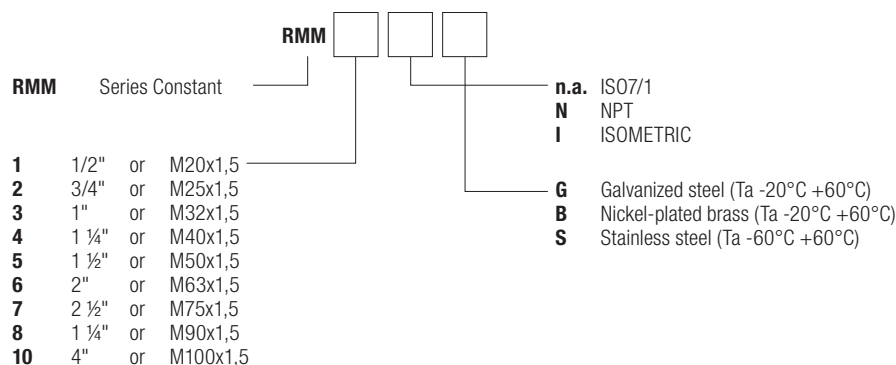
1-2-21-22

FEATURES AND BENEFITS

RMM series three pieces unions for IIC gas group enable an independent rotation and connection between pipes, enclosures or different equipment.

- Quick and easy to be fitted on.
- High quality materials suitable for outdoor and indoor applications.
- The silicone O-ring for the IP protection for cylindrical threads (ISO metric) is supplied already assembled on the union.

Order code logic



Example:

RMM1NG Three pieces unions fixed male/turning female - IIC size 1/2" NPT, galvanized steel material.

RE male - female adaptors



[Online catalogue](#)



MARKING

Ex II 2 GD Ex db IIC Gb Ex tb IIIC Db
Ex II 2 GD Ex eb IIC Gb Ex tb IIIC Db

DEGREE OF PROTECTION

IP66/67

STANDARD AMBIENT TEMPERATURE

-20°C +80°C Galvanised steel
-40°C +150°C Nickel-plated brass or aluminium alloy
-60°C +150°C Stainless steel

ZONE

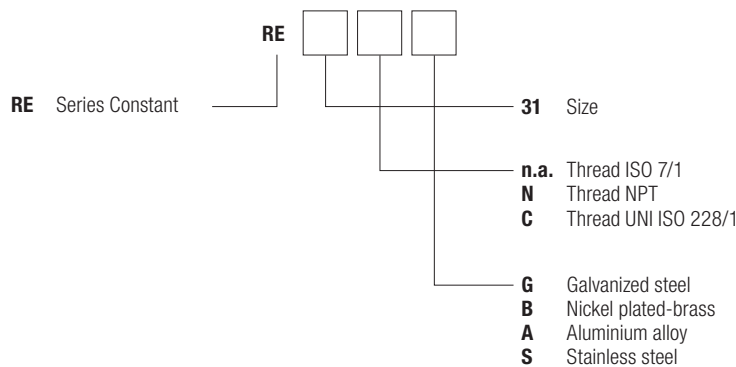
1-2-21-22

FEATURES AND BENEFITS

Reducers and adaptors are used to join instruments, enclosures, pipes and hubs of different diameter and threads.

Standard order code logic

Thread ISO7/1		Ø FEMALE								
		1/4"	3/8"	1/2"	3/4"	1"	1 1/4"	1 1/2"	2"	2 1/2"
Ø MALE	3/8"	RE3814								
	1/2"	RE114	RE138							
	3/4"	RE214	RE238	RE21						
	1"	RE314	RE338	RE31	RE32					
	1 1/4"	RE414	RE438	RE41	RE42	RE43				
	1 1/2"	RE514	RE538	RE51	RE52	RE53	RE54			
	2"	RE614	RE638	RE61	RE62	RE63	RE64	RE65		
	2 1/2"			RE71	RE72	RE73	RE74	RE75	RE76	
	3"			RE81	RE82	RE83	RE84	RE85	RE86	RE87



Example:

RE31NG Male 1" NPT - Female 1/2" NPT adaptor in galvanised steel material.
For special adaptors consult the general catalogue.

REB female - male adaptors



[Online catalogue](#)



MARKING

Ex II 2 GD Ex db IIC Gb Ex tb IIIC Db

Ex II 2 GD Ex eb IIC Gb Ex tb IIIC Db

DEGREE OF PROTECTION

IP66/67

STANDARD AMBIENT TEMPERATURE

-20°C +80°C Galvanised steel

-40°C +150°C Nickel-plated brass or aluminium alloy

-60°C +150°C Stainless steel

ZONE

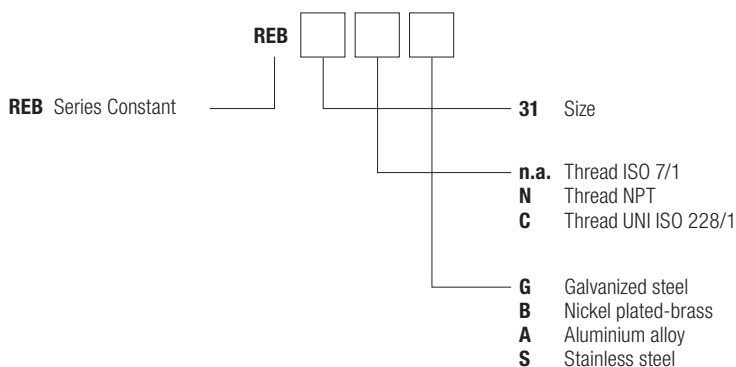
1-2-21-22

FEATURES AND BENEFITS

Reducers and adaptors are used to join instruments, enclosures, pipes and hubs of different diameter and threads.

Standard order code logic

Thread ISO7/1		Ø MALE									
		1/4"	3/8"	1/2"	3/4"	1"	1 ¼"	1 ½"	2"	2 ½"	
Ø FEMALE	3/8"	REB3814									
	1/2"	REB114	REB138								
	3/4"	REB214	REB238	REB21							
	1"	REB314	REB338	REB31	REB32						
	1 ¼"	REB414	REB438	REB41	REB42	REB43					
	1 ½"	REB514	REB538	REB51	REB52	REB53	REB54				
	2"	REB614	REB638	REB61	REB62	REB63	REB64	REB65			
	2 ½"			REB71	REB72	REB73	REB74	REB75	REB76		
	3"			REB81	REB82	REB83	REB84	REB85	REB86	REB87	



Example:

REB31NG Female 1" NPT - Male 1/2" NPT adaptor in galvanised steel material.

For special adaptors consult the general catalogue.

REM female - female adaptors



[Online catalogue](#)



MARKING

Ex II 2 GD Ex db IIC Gb Ex tb IIIC Db
Ex II 2 GD Ex eb IIC Gb Ex tb IIIC Db

DEGREE OF PROTECTION

IP66/67

STANDARD AMBIENT TEMPERATURE

-20°C +80°C Galvanised steel
-40°C +150°C Nickel-plated brass or aluminium alloy
-60°C +150°C Stainless steel

ZONE

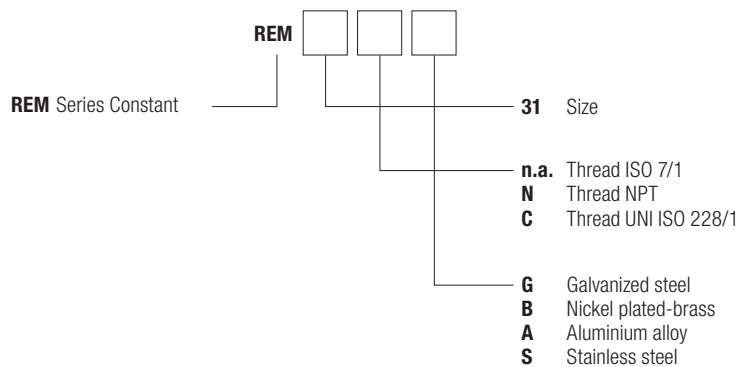
1-2-21-22

FEATURES AND BENEFITS

Reducers and adaptors are used to join instruments, enclosures, pipes and hubs of different diameter and threads.

Standard order code logic

Thread ISO7/1	Ø FEMALE									
	1/4"	3/8"	1/2"	3/4"	1"	1 1/4"	1 1/2"	2"	2 1/2"	
Ø FEMALE	3/8"	REM3814								
	1/2"	REM114	REM138							
	3/4"	REM214	REM238	REM21						
	1"	REM314	REM338	REM31	REM32					
	1 1/4"	REM414	REM438	REM41	REM42	REM43				
	1 1/2"	REM514	REM538	REM51	REM52	REM53	REM54			
	2"	REM614	REM638	REM61	REM62	REM63	REM64	REM65		
	2 1/2"			REM71	REM72	REM73	REM74	REM75	REM76	
	3"			REM81	REM82	REM83	REM84	REM85	REM86	REM87



Example:

REM31NG Female 1" NPT - Female 1/2" NPT adaptor in galvanised steel material.

For special adaptors consult the general catalogue.

REN male - male adaptors



[Online catalogue](#)



MARKING

Ex II 2 GD Ex db IIC Gb Ex tb IIIC Db
Ex II 2 GD Ex eb IIC Gb Ex tb IIIC Db

DEGREE OF PROTECTION

IP66/67

STANDARD AMBIENT TEMPERATURE

-20°C +80°C Galvanised steel
-40°C +150°C Nickel-plated brass or aluminium alloy
-60°C +150°C Stainless steel

ZONE

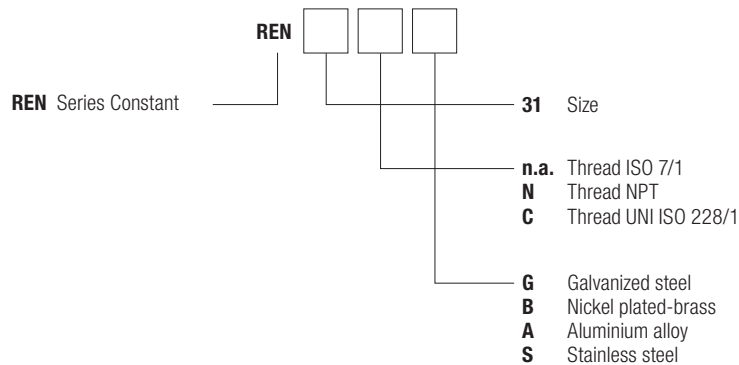
1-2-21-22

FEATURES AND BENEFITS

Reducers and adaptors are used to join instruments, enclosures, pipes and hubs of different diameter and threads.

Standard order code logic

Thread ISO7/1		Ø MALE									
		1/4"	3/8"	1/2"	3/4"	1"	1 ¼"	1 ½"	2"	2 ½"	
Ø MALE	3/8"	REN3814									
	1/2"	REN114	REN138								
	3/4"	REN214	REN238	REN21							
	1"	REN314	REN338	REN31	REN32						
	1 ¼"	REN414	REN438	REN41	REN42	REN43					
	1 ½"	REN514	REN538	REN51	REN52	REN53	REN54				
	2"	REN614	REN638	REN61	REN62	REN63	REN64	REN65			
	2 ½"			REN71	REN72	REN73	REN74	REN75	REN76		
	3"			REN81	REN82	REN83	REN84	REN85	REN86	REN87	



Example:

REN31NG Male 1" NPT - Male 1/2" NPT adaptor in galvanized steel material.
For special adaptors consult the general catalogue.

PLG male close-up plugs with conical thread



[Online catalogue](#)



MARKING

Ex II 2 GD Ex db IIC Gb Ex tb IIIC Db
Ex II 2 GD Ex eb IIC Gb Ex tb IIIC Db

DEGREE OF PROTECTION

IP66/67

STANDARD AMBIENT TEMPERATURE

-20°C +80°C Galvanised steel
-40°C +150°C Nickel-plated brass or aluminium alloy
-60°C +150°C Stainless steel

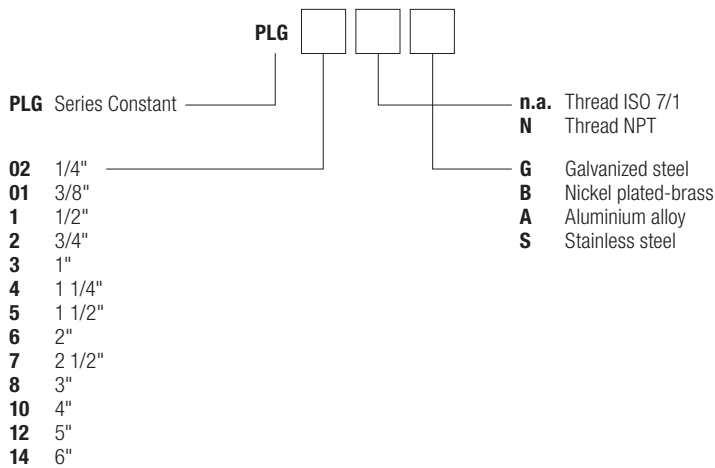
ZONE

1-2-21-22

FEATURES AND BENEFITS

PLG series plugs are used for close-up unused entries. They feature a hexagonal recessed-type head to ensure the opening with proper tools only.

Order code logic



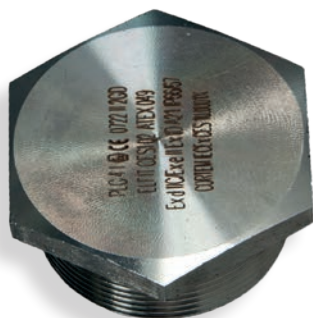
Example:

PLG2NG Male close-up plugs with conical thread 3/4" NPT in galvanized steel material.

PLG male close-up plugs with cylindrical thread



[Online catalogue](#)



MARKING

Ex II 2 GD Ex db IIC Gb Ex tb IIIC Db

Ex II 2 GD Ex eb IIC Gb Ex tb IIIC Db

DEGREE OF PROTECTION

IP66/67

STANDARD AMBIENT TEMPERATURE

-20°C +80°C Galvanised steel

-40°C +150°C Nickel-plated brass or aluminium alloy

-60°C +150°C Stainless steel

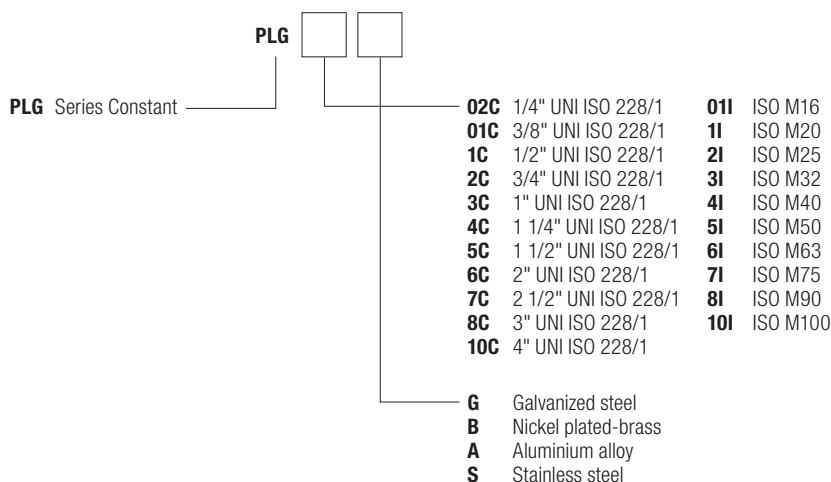
ZONE

1-2-21-22

FEATURES AND BENEFITS

PLG series plugs are used for close-up unused entries. They feature a hexagonal external head to ensure the opening with proper tools only.

Order code logic



Example:

PLG2IG Male close-up plugs with cylindrical thread ISO M25 in galvanized steel material.

PLG..7 polyamide close-up plugs with cylindrical thread



[Online catalogue](#)



MARKING

Ex II 2 GD - Ex e IIC Gb Ex tb IIIC Db

DEGREE OF PROTECTION

IP66/68

STANDARD AMBIENT TEMPERATURE

-60°C +70°C

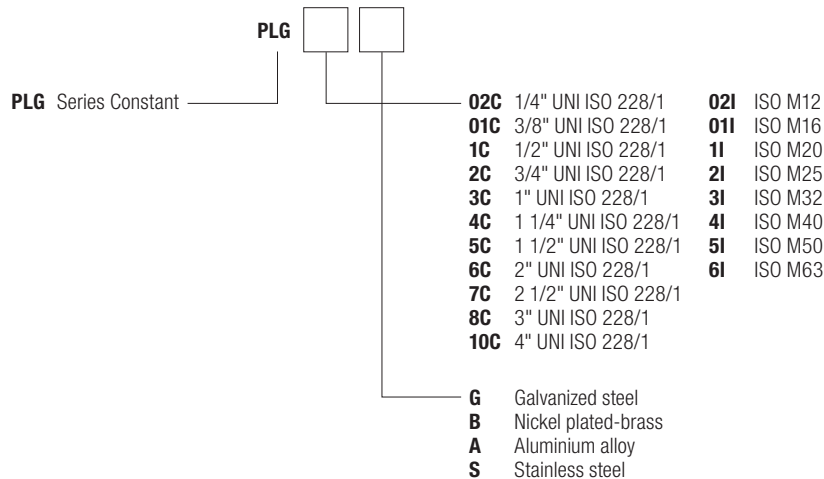
ZONE

1-2-21-22

FEATURES AND BENEFITS

PLG series plugs are used for close-up unused entries. They feature a hexagonal external head to ensure the opening with proper tools only.

Order code logic



Example:

PLG2IG Male close-up plugs with cylindrical thread ISO M25 in galvanized steel material.

ELF - ELMF - ELM 90° elbows



[Online catalogue](#)



MARKING

Ex II 2 GD Ex db IIC Gb Ex tb IIIC Db
Ex II 2 GD Ex eb IIC Gb Ex tb IIIC Db

DEGREE OF PROTECTION

IP66/67

STANDARD AMBIENT TEMPERATURE

-60°C +150°C

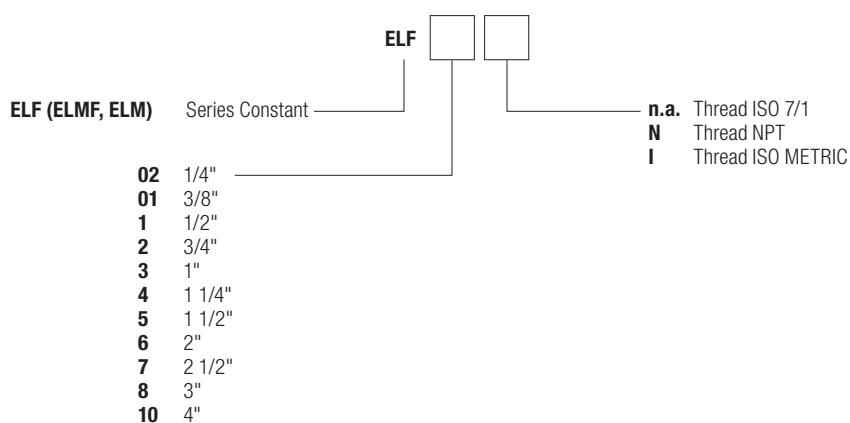
ZONE

1-2-21-22

FEATURES AND BENEFITS

Elbows with ELF series female-female hubs, ELMF series male-female hubs and ELM series male-male hubs enable the 90° deviations of pipes.

Order code logic



Example:

ELF5N 90° elbow thread 1 1/2" NPT in aluminium material.

EM couplings



[Online catalogue](#)



MARKING

Ex II 2 GD Ex db IIC Gb Ex tb IIIC Db
Ex II 2 GD Ex eb IIC Gb Ex tb IIIC Db

DEGREE OF PROTECTION

IP66/67

STANDARD AMBIENT TEMPERATURE

-20°C +80°C
-60°C +150°C (only stainless steel)

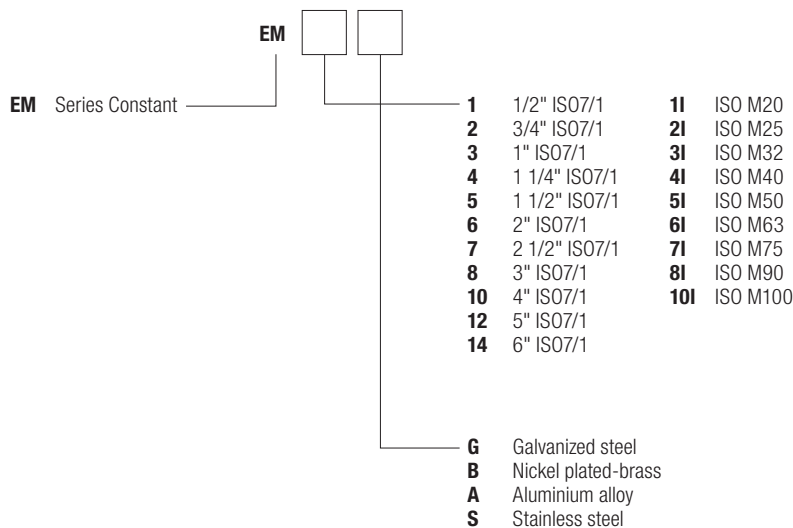
ZONE

1-2-21-22

FEATURES AND BENEFITS

EM series couplings with female-female hubs, enable the connection between male hubs.

Order code logic



Example:
EM21G Coupling with cylindrical thread ISO M25 in galvanized steel material.

NP nipples



[Online catalogue](#)



MARKING

Ex II 2 GD Ex db IIC Gb Ex tb IIIC Db
Ex II 2 GD Ex eb IIC Gb Ex tb IIIC Db

DEGREE OF PROTECTION

IP66/67

STANDARD AMBIENT TEMPERATURE

-20°C +80°C
-60°C +150°C (only stainless steel)

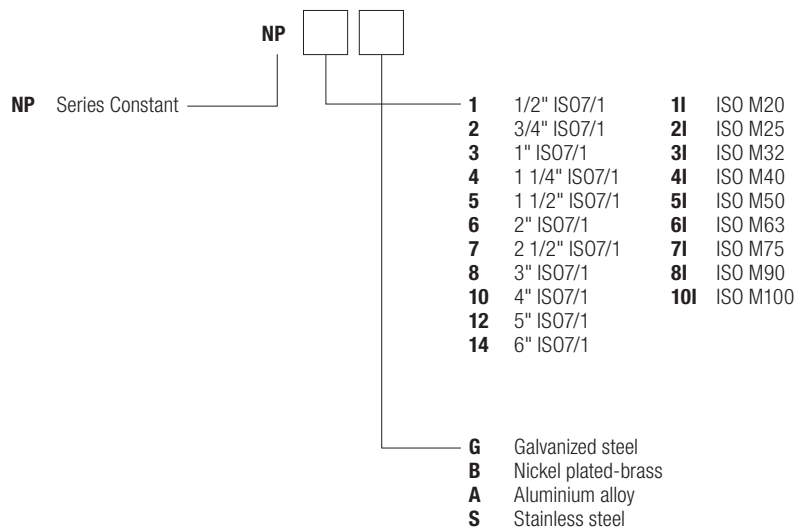
ZONE

1-2-21-22

FEATURES AND BENEFITS

NP series nipples with male-male hubs enable the connection between two female hubs.

Order code logic



Example:

NP21G Nipple with cylindrical thread ISO M25 in galvanized steel material.

EYS vertical sealing fittings



[Online catalogue](#)



MARKING

Ex II 2 GD Ex db IIC Gb Ex tb IIIC Db

DEGREE OF PROTECTION

IP66

STANDARD AMBIENT TEMPERATURE

-20°C +100°C

ZONE

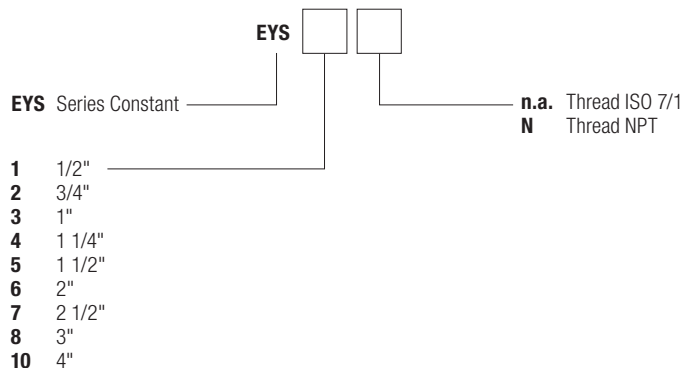
1-2-21-22

FEATURES AND BENEFITS

EYS series sealing fittings prevent the passage of gas, vapours or flames through the pipe system in the electrical installation.

They are used for vertical mounting and they are available in two different shapes, the first for dimensions less than 1", and the second up to 3" with an additional lateral opening for an easy introduction of the fiber. The sealing fittings must be installed as close as possible to the 'Ex d' junction box and in accordance with EN60079-1 standard. They must be filled with CRV420 resin only. It is not allowed the use of other types of sealing compound.

Order code logic



Example:

EYS2N Vertical sealing fittings with thread 3/4" NPT in galvanized steel material.

EZS horizontal sealing fittings



[Online catalogue](#)



MARKING

II 2 GD Ex db IIC Gb Ex tb IIIC Db

DEGREE OF PROTECTION

IP66

STANDARD AMBIENT TEMPERATURE

-20°C +100°C

ZONE

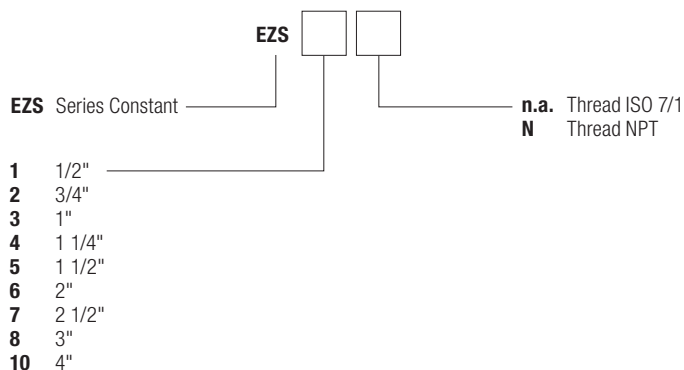
1-2-21-22

FEATURES AND BENEFITS

EZS series horizontal fittings prevent the passage of gas, vapours or flames through the pipe system in the electrical installation.

EZS series can be used both for horizontal and vertical mounting. The sealing fittings have to be installed as close as possible to the Ex d junction box and in accordance with EN60079-1 standard. They must be filled with CRV420 resin only. It is not allowed the use of other types of sealing compound.

Order code logic



Example:

EZS2N Vertical sealing fittings with thread 3/4" NPT in galvanized steel material.

EYD vertical sealing fittings with drain valve



[Online catalogue](#)



MARKING

II 2 G Ex d IIC Gb

IP66

STANDARD AMBIENT TEMPERATURE

-20°C +100°C

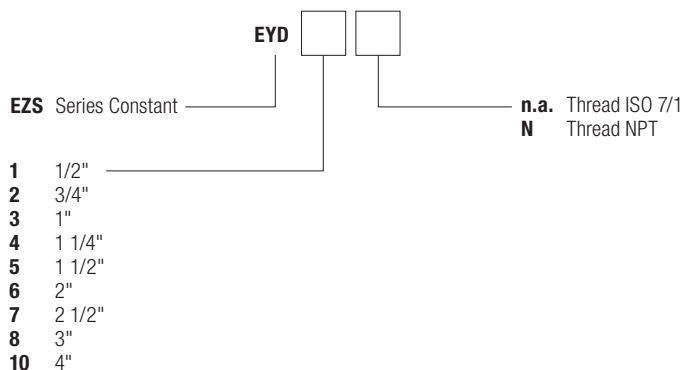
ZONE

1-2-21-22

FEATURES AND BENEFITS

EYD series sealing fittings are equipped with ECD valve to drain the possible condensation inside the conduits. They are used for vertical mounting and available in two different shapes, the first for dimensions less than 1", and the second up to 3" with an additional lateral opening for easy introduction of the fiber. The sealing fittings have to be installed as close as possible to the Ex d junction box and in accordance with the standard EN60079-1. They must be filled only with CRV420 resin that has to be requested in the amount indicated in the table. It is not allowed the use of other types of sealing compound.

Order code logic

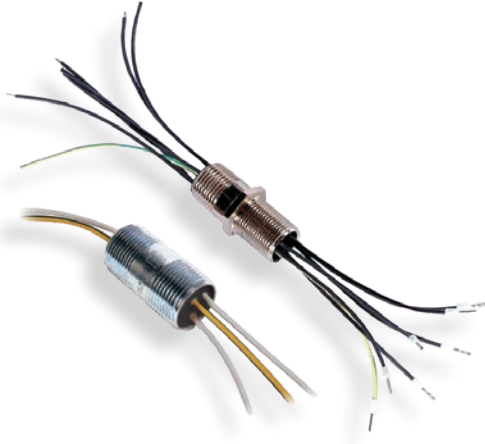


Example:
EYD2N Vertical sealing fittings with drain valve with thread 3/4" NPT in galvanized steel material.

NPS sealing nipples



[Online catalogue](#)



MARKING

Ex II 2 GD Ex d IIC Gb Ex tb IIIC Db

DEGREE OF PROTECTION

IP66/67

STANDARD AMBIENT TEMPERATURE

-50°C +110°C

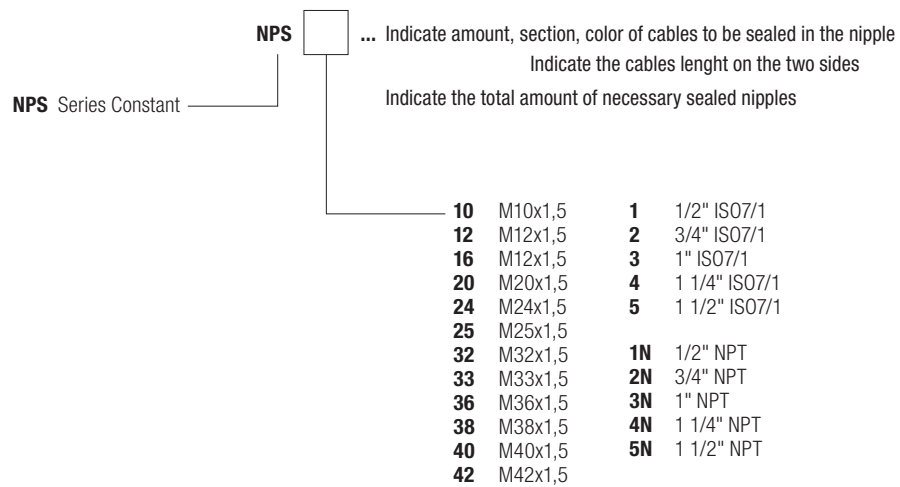
ZONE

1-2-21-22

FEATURES AND BENEFITS

Sealing nipples and bushings are used to interconnect explosion proof enclosures. The cables are sealed through a bicomponent resin set around each conductor. Refer to the Sales Office for the available cables arrangements.

Order code logic



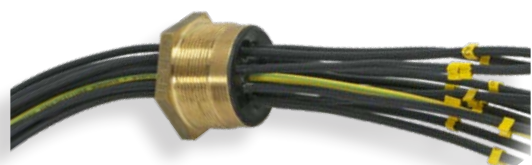
Example:

NPS24... Sealing nipples with thread ISO M24x1,5 in galvanized steel material.

TP and CP sealed bushings for multicables with a threaded and cylindrical joint



[Online catalogue](#)



MARKING

Ex II 2 G Ex d IIC Gb

DEGREE OF PROTECTION

-



STANDARD AMBIENT TEMPERATURE

-50°C +110°C

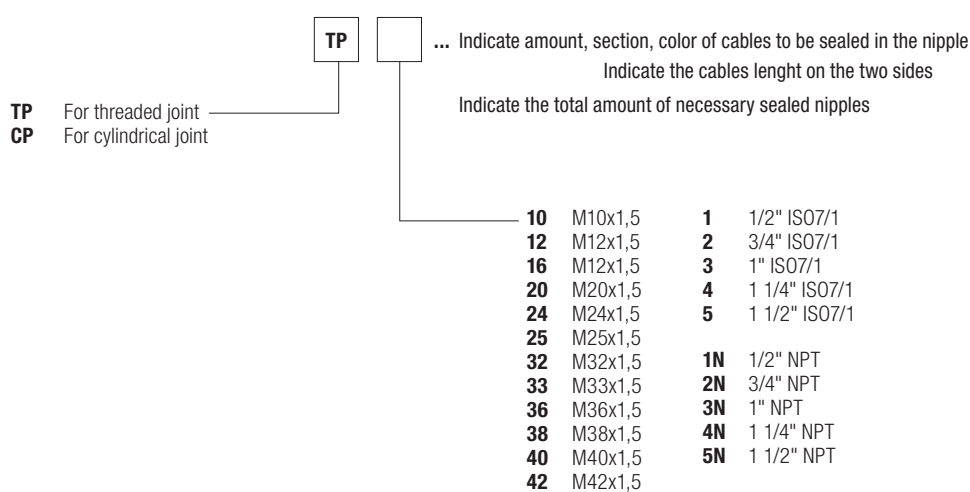
ZONE

1-2-21-22

FEATURES AND BENEFITS

The sealing bushings are used to connect explosion-proof enclosures. The cables are sealed through a two-component resin set around each conductor.

Order code logic



Example:

TP-24... Sealing bushing for threaded joint with thread ISO M25x1,5 in brass material.

SP flexible conduits



[Online catalogue](#)



MARKING

Ex II 2 GD Ex db IIB Gb Ex tb IIIC Db
Ex II 2 GD Ex db IIC Gb Ex tb IIIC Db

DEGREE OF PROTECTION

IP66/67

STANDARD AMBIENT TEMPERATURE

Range max. -60°C +150°C

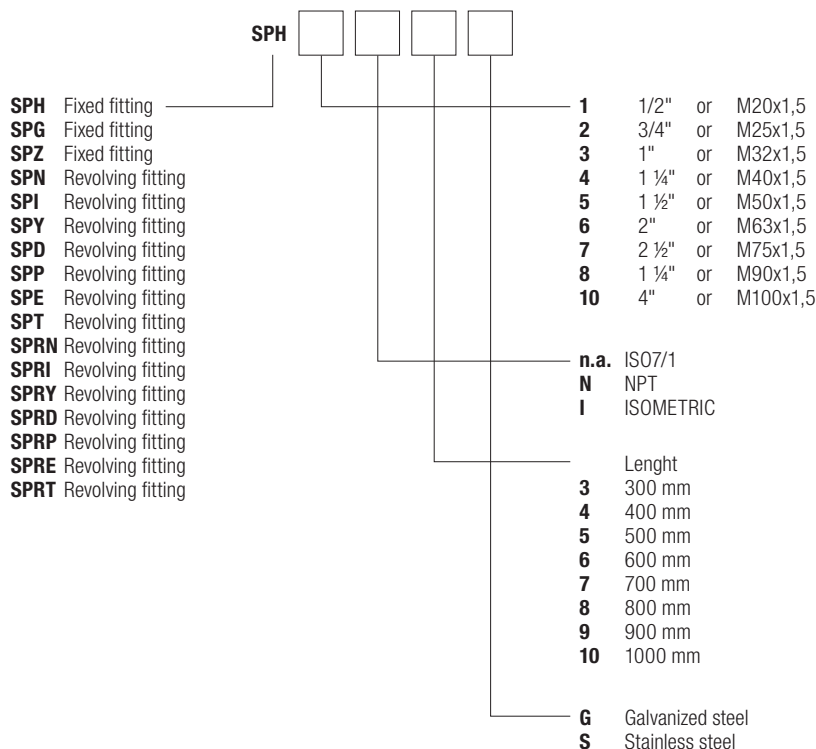
ZONE

1-2-21-22

FEATURES AND BENEFITS

Flexible conduits are used for connecting misaligned equipments or equipments subjected to vibrations, such as electrical motors. They are suitable for installation of lighting fixtures and in alternative to rigid conduits when they are difficult to install. SP series flexible conduits have a good flexibility and a very good damping effect against vibrations.

Order code logic



Example:

SPH1N10G Flexible conduits with fixed fittings thread 1/2" NPT, lenght 1000mm, in galvanized steel material.

LBH, LBHS open elbows



[Online catalogue](#)



MARKING
Ex II 2 G Ex d IIB

DEGREE OF PROTECTION
-

STANDARD AMBIENT TEMPERATURE
-20°C +80°C

ZONE
1-2-21-22

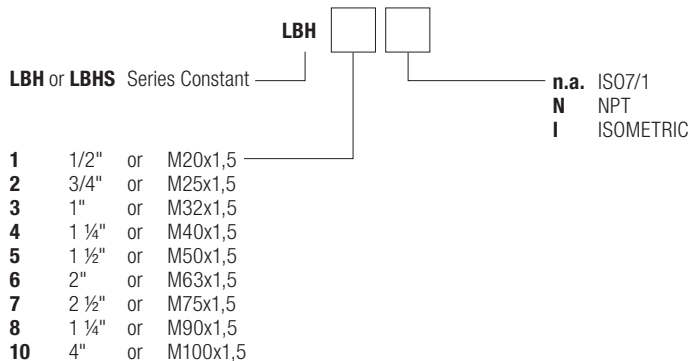
FEATURES AND BENEFITS

LBH series open elbows, L shaped, with small radius are used for the cables insertion in conduit system of electrical installations.

LBHS series open elbows with a large radius are used for the cables insertion in conduit system of electrical installations.

The back opening enables an easy inspection of the installation and an easy insertion of electrical cables.

Order code logic



Example:
LBH1N Open elbow with thread ISO 1/2" NPT.

EKC pulling boxes



[Online catalogue](#)



MARKING

Ex II 2 G Ex d IIB

DEGREE OF PROTECTION

-

STANDARD AMBIENT TEMPERATURE

-60°C +150°C

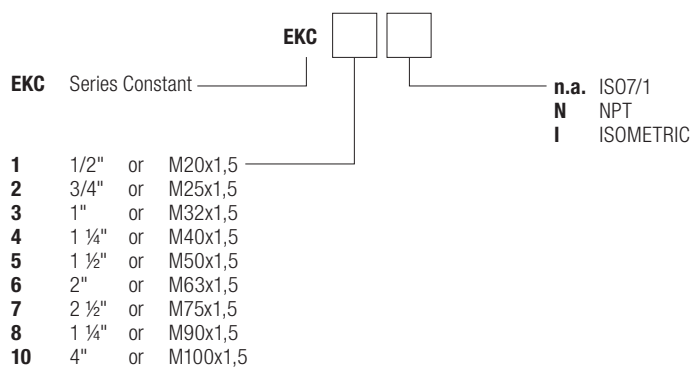
ZONE

1-2-21-22

FEATURES AND BENEFITS

EKC pulling boxes are used in conduit system of electrical plant to facilitate the cables insertion. The back opening enables an easy inspection of the installation and an easy insertion of electrical cables.

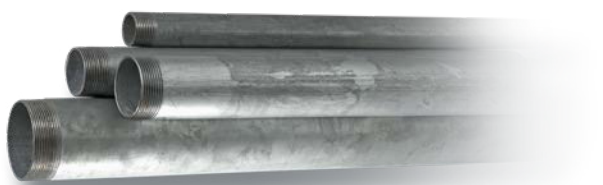
Order code logic



Example:

EKC1N Open elbow with thread ISO 1/2" NPT.

BC rigid conduits



Rigid conduits are used in hazardous areas to connect electrical equipment setting up a complete explosion proof system through sealing fittings. The conduits are drawn inside so that all roughness, which could damage the electrical cables, are eliminated.

Installation:	zone 1 - zone 2 (Gas)
Standards:	EN 60079-0, EN 60079-1
Standard construction:	UNI 7683 galvanised steel conduit Standard bar length: 6 meters Plastic couplings for thread protection ISO7/1 thread
Upon request:	Thread NPT: (example code BC-1N) Bar of 3 m: (example code BC-3/3000) Bar of 300 mm: (example code BC-3/300)

Order code logic

BC	Series Constant	DB	PVC	1	1/2" ISO7/1	6	2" ISO7/1
				2	3/4" ISO7/1	7	2 1/2" ISO7/1
				3	1" ISO7/1	8	3" ISO7/1
				4	1 1/4" ISO7/1	10	4" ISO7/1
				5	1 1/2" ISO7/1	12	5" ISO7/1

DB...A bushing and DBT bushings with earth screw



DB...A series bushings are made in aluminium. They are screwed to the pipe end they work as a cable guard. They prevent the cable from rubbing on any pipe burr/edge which could damage its sheath.

DBT series are equipped with earth screw for metal parts grounding.

Standard construction:	Low copper content aluminium alloy body ISO 228 thread
Upon request:	Thread NPT: (example code DB3NA) Galvanised steel (example code DB3G) Stainless steel (example code DB3S)

Order code logic

DB or DBT	Series Constant	DB	A	1	1/2" ISO7/1	6	2" ISO7/1
				2	3/4" ISO7/1	7	2 1/2" ISO7/1
				3	1" ISO7/1	8	3" ISO7/1
				4	1 1/4" ISO7/1	10	4" ISO7/1
				5	1 1/2" ISO7/1	12	5" ISO7/1

DB...PVC bushings



DB... series bushings, PVC made, are screwed to the pipe end and they work as a cable guard. They prevent the cable from rubbing on any pipe burr/edge which could damage its sheath.

Standard construction:	PVC thermoplastic moulding ISO 228 thread
------------------------	--

Order code logic

DB	Series Constant	DB	PVC	1	1/2" ISO7/1	6	2" ISO7/1
				2	3/4" ISO7/1	7	2 1/2" ISO7/1
				3	1" ISO7/1	8	3" ISO7/1
				4	1 1/4" ISO7/1	10	4" ISO7/1
				5	1 1/2" ISO7/1	12	5" ISO7/1

MC female closing plugs



MC series female plugs are used to close pipes ends.

Standard construction:	Galvanised steel or aluminium Standard thread: ISO 7/1
Upon request:	NPT thread: (example code MC3NG) Stainless steel (example code MC3S)

Order code logic

MC	Series Constant	MC	G	1	1/2" ISO7/1	6	2" ISO7/1
				2	3/4" ISO7/1	7	2 1/2" ISO7/1
				3	1" ISO7/1	8	3" ISO7/1
				4	1 1/4" ISO7/1	10	4" ISO7/1
				5	1 1/2" ISO7/1	12	5" ISO7/1

DL metal locknuts

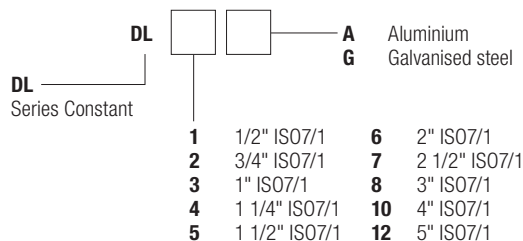


DL series locknuts are used to block cable glands or fittings with cylindrical thread on 'Ex e' or 'Ex i' junction box flange or walls with drilling for cables entry.

Standard construction:	Galvanised steel (example code DL3G) Aluminium (example code DL3A) ISO 7/1 thread
-------------------------------	---

Upon request:	Other threads Other materials
----------------------	----------------------------------

Order code logic



DL...P polyamide locknuts

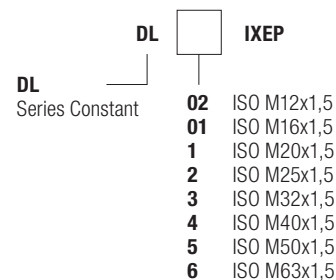


DL...P series locknuts are used to block polyamide cable glands with cylindrical thread on 'Ex e' or 'Ex i' junction box walls or flange with drilling for cables entry.

Standard construction:	Polyamide
-------------------------------	-----------

Upon request:	Marking Ex i: (example code DL02IXIP) Other threads
----------------------	--

Order code logic



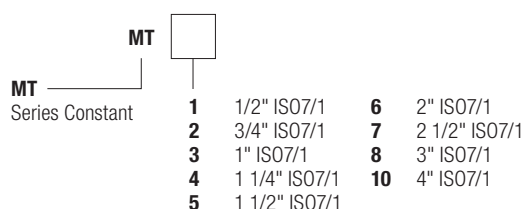
MT conduit clamps



MT series conduit clamps are used for mounting of cable conduits perpendicular to the support structure.

Standard construction:	Galvanised steel Galvanized bolts and nuts.
-------------------------------	--

Order code logic



UBD u-bolts

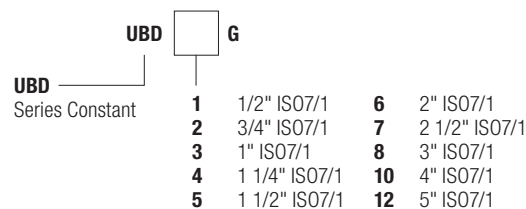


U-bolts are used to fix rigid cable conduits to flat surfaces.

Standard construction:	Galvanised steel
-------------------------------	------------------

Upon request:	Stainless steel (example code UBD3S)
----------------------	--------------------------------------

Order code logic



ECD, ECDE drain and breather valves



[Online catalogue](#)



Ex II 2 GD Ex db IIC Gb Ex tb IIIC Db (ECD-1...)
 Ex II 2 GD Ex d IIC/IIB - Ex e IIC Gb- Ex tb IIIC Db IP66 (ECD-2...)
 Ex II 2 GD Ex eb IIC Gb Ex tb IIIC Db IP66 (ECDE-...)

DEGREE OF PROTECTION

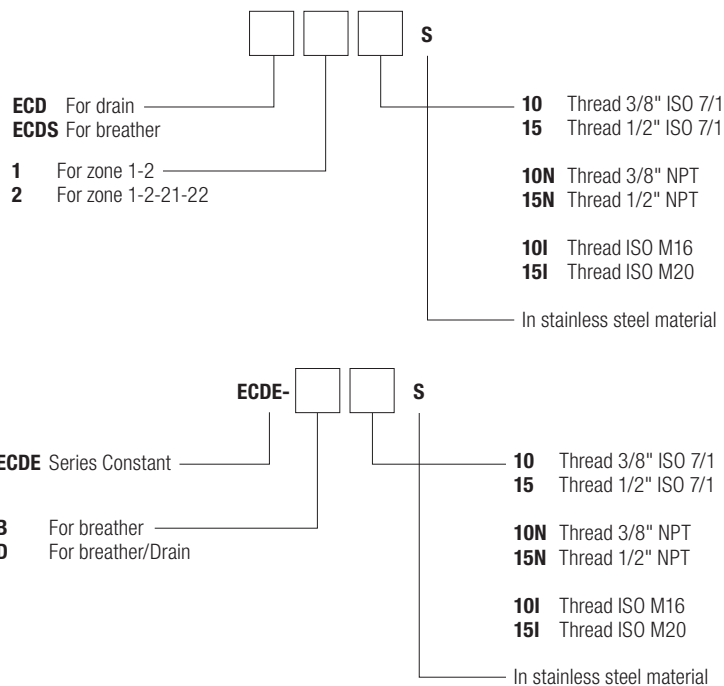
IP66

-50°C +60°C (IIC)
 -50°C +150°C (IIB)
 -60°C +150°C (ECDE)

Drain and breather valves are suitable for use in any type of explosion proof enclosure to drain the condensation and vapours developed inside the enclosure.

Automatic drainage and breather valves ECDE series are suitable to be used on increased safety, intrinsically safety or watertight enclosures to facilitate the elimination of condensation or vapours developed inside. Thanks to a precise mechanism, it is possible to obtain a continuous drainage and breathing of the junction box, protecting it from the possible formations of internal condensation and thus avoiding the periodic manual discharge, while ensuring a suitable IP degree of protection.

Order code logic



Example:
ECDE-B1S Ex eb breather valve with thread 3/8" ISO7/1 in stainless steel.

CODES INDEX

BC rigid conduits	106
BFF three pieces unions fixed female/turning female - IIB	80
BMF three pieces unions fixed male/turning female - IIB	79
BMM three pieces unions fixed male/turning male - IIB	81
CCA-02E/S...LD series led traffic lights	30
CCA...C series aluminium junction boxes gas group IIC	36
CCA-...EH series junction boxes with round viewing windows	43
CCA-...E series aluminium junction boxes gas group IIC	35
CCAIF...H series junction boxes with round viewing windows.	44
CCAIF series stainless steel junction boxes gas group IIC	38
CCAI series stainless steel junction boxes gas group IIC	37
CMD series control and signalling stations	65
CSC series control and signalling stations.	51
CSC series switches, selectors and circuit breaker	53
CSE series control and signalling stations.	56
CTB series (Ex e) and (Ex i) stainless steel junction boxes	49
DB...A bushing and DBT bushings with earth screw	106
DB...PVC bushings.	106
DL metal locknuts	107
DL...P polyamide locknuts	107
ECD, ECDE drain and breather valves.	108
EFD3 series breakers	57
EFDC series control and signalling stations	52
EFSCO series switches, selectors and circuit breaker	54
EJBC series aluminium junction boxes gas group IIC	39
EJB series aluminium junction boxes gas group IIB+H ₂	33
EJB series junction boxes with rectangular/square viewing windows	41
EJB series junction boxes with round viewing windows	40
EJBX series junction boxes with rectangular/square viewing windows	42
EJBX series stainless steel junction boxes gas group IIB+H ₂	34
EKC pulling boxes	105
ELF - ELMF - ELM 90° elbows	95
EM couplings	96
EMHA-9 and CSC-H series instrument housings	55
EPC, EPRC, AP series sockets and plugs from 63A to 125A	60

CODES INDEX

EVL series high bay led lighting fixture	4
EVL series led floodlights18
EVML-50P hand-held led lighting fixture23
EVML series low bay led lighting fixture	1
EVNL series high bay led lighting fixtures for zone 2, 22	5
EVNL series led floodlights for zone 2, 2219
EV... series empty lighting fixtures for led lamps	6
EXEL-L series lighting fixture with cortem resin-bonded led strips14
EXEL series lighting fixtures for fluorescent tubes13
EXENC-L series lighting fixtures for led strips "industrial series"15
EXENC series lighting fixtures "industrial series"16
EYD vertical sealing fittings with drain valve	100
EYS vertical sealing fittings98
EZS horizontal sealing fittings99
FHL series hand-held inspection lamp21
FLFE...L, FLF...L series lighting fixtures led tubes10
FLOWEX-ME series High Bay led lighting fixtures	2
FLOWEX-MN series High Bay led lighting fixtures	3
FSQC, FP series sockets and plugs from 10A to 63A59
GRD-4200 electronic earthing system63
GRDE-4200 electronic earthing system62
LBH, LBHS open elbows	104
LFED emergency led lighting fixtures25
LFEE emergency led lighting fixtures26
LHL-...P series led hand-lamp22
LifEx-ME series Linear led lighting fixture in aluminum	8
LifEx-MN series Linear emergency lighting fixtures in aluminum	9
LifEx-PE series Linear led lighting fixture in plastic material11
LifEx-PN series Linear led emergency lighting fixtures in plastic material12
M-0 "Ex d" control, monitoring and signalling devices45
M-0 "Ex e" control, monitoring and signalling devices50
MC female closing plugs	106
MSU led signalling lightings32
MT conduit clamps	107
NAVBF series barrier cable glands for non-armoured cables with female entry73

CODES INDEX

NAVBN series barrier cable glands for non-armoured cables with male entry74

NAV B series barrier cable glands for non-armoured cables from 3/8" to 4"72

NAV F series cable glands for non-armoured cables with female entry68

NAVGB series barrier cable glands for non-armoured cables with gasket.75

NAV N series cable glands for non-armoured cables with male entry69

NAV P series cable glands in polyamide for non-armoured cables77

NAV series cable glands for non-armoured cables from 3/8" to 4"67

NEVB series barrier cable glands for armoured cables.76

NEVL series cable glands for lead sheathed armoured cables71

NEV series cable glands for armoured cables from 3/8" to 4"70

NP nipples.97

NPS sealing nipples101

P, A, I series control and signalling stations66

PLG..7 polyamide close-up plugs with cylindrical thread.94

PLG male close-up plugs with conical thread92

PLG male close-up plugs with cylindrical thread.93

PMT earthing pliers64

PY, SPY series sockets and plugs from 16A to 32A58

RBFF three pieces unions fixed female/turning female - IIB high temperatures83

RBMF three pieces unions fixed male/turning female - IIB high temperatures82

RBMM three pieces unions fixed male/turning male - IIB high temperatures84

REB female - male adaptors89

RE male - female adaptors88

REM female - female adaptors90

REN male - male adaptors91

RFF three pieces unions fixed female/turning female - IIC86

RLFE series lighting fixtures for discharge lamps up to 400W7

RMF three pieces unions fixed male/turning female - IIC85

RMM three pieces unions fixed male/turning female - IIC87

SA-...P series Polyester junction boxes (Ex e) and (Ex i)48

SA, SAG series (Ex e) and (Ex i) aluminium junction boxes47

SLED series led floodlights17

SP flexible conduits103

S series junction boxes gas group IIC46

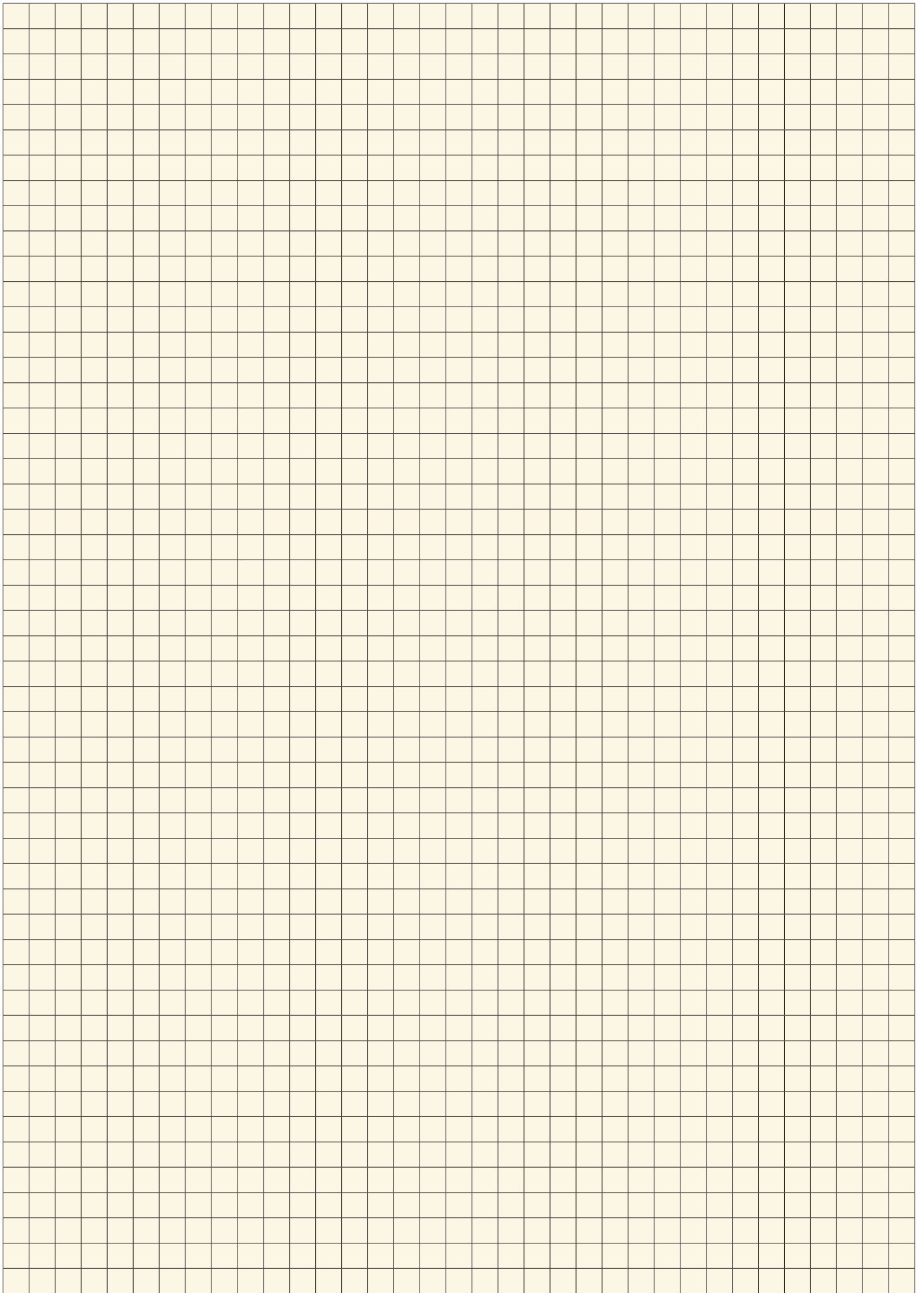
TIGER series rectangular floodlights20

CODES INDEX

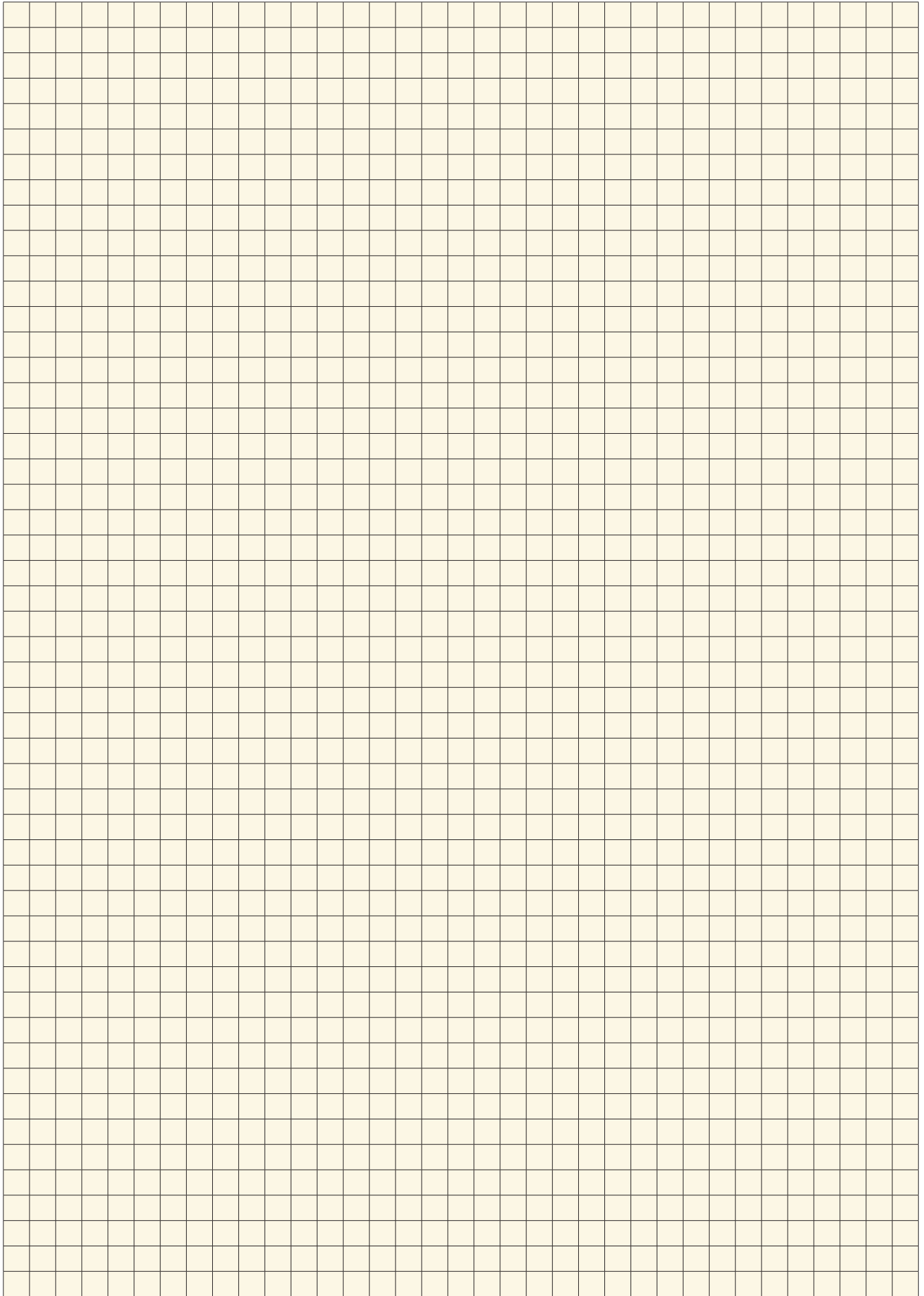
TL series led traffic lights with wi-fi system31
TP and CP sealed bushings for multicables with a threaded and cylindrical joint	102
UBD u-bolts	107
XLFE-LIB low intensity led obstruction lighting fixtures.27
XLFE-MIA medium intensity led obstruction lighting fixtures29
XLFE-MIB medium intensity led obstruction lighting fixtures28
YFC series limit switch61

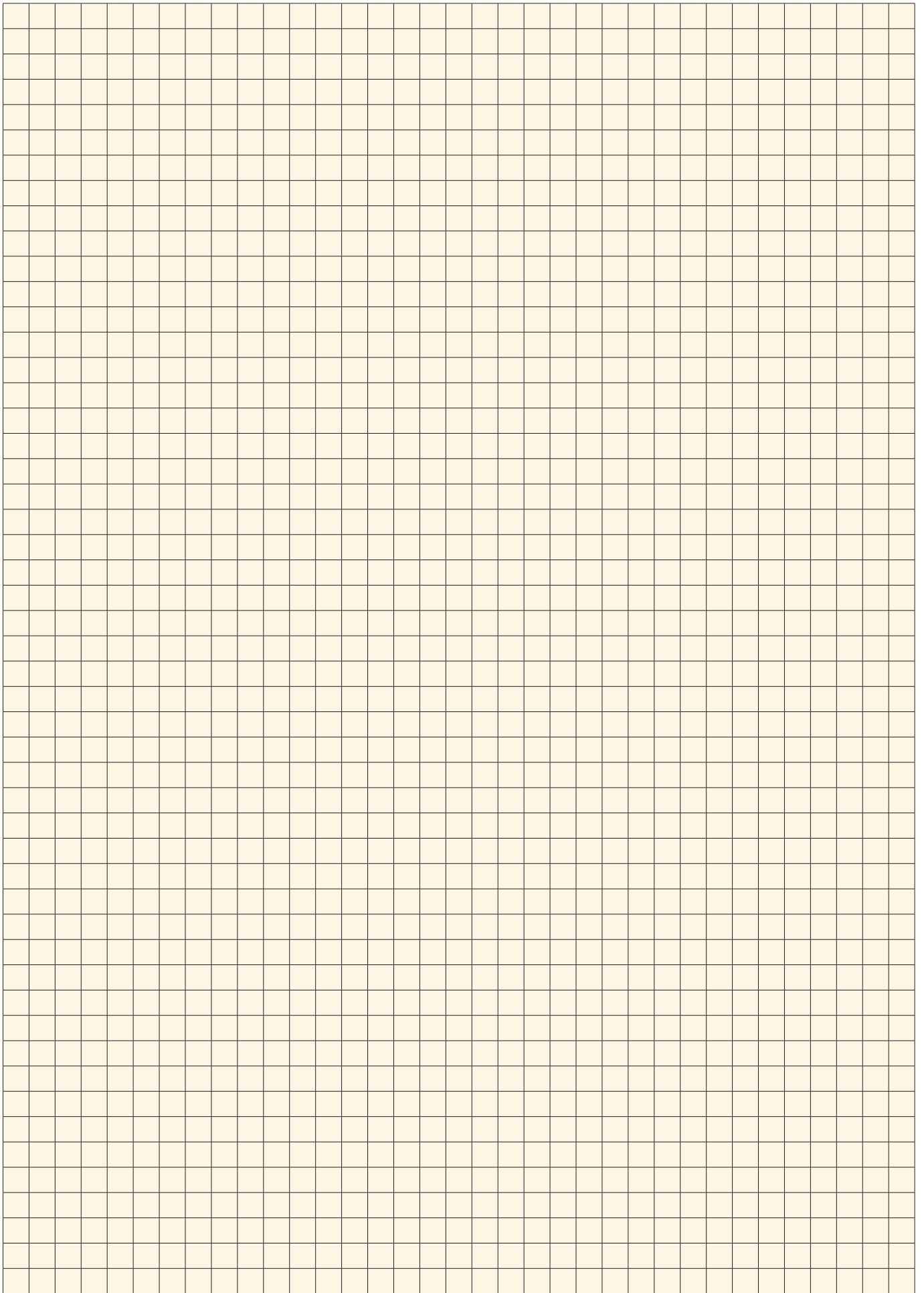
FOR THE LATEST PRODUCT NEWS AND UPDATES VISIT

WWW.CORTEMGROUP.COM



Notes







PRODUCT MODIFICATIONS AND WARRANTY

Cortem Group reserves the right, at its sole discretion, to make any modifications (at any time and without notice) in order to improve the functionality and performance of its products or meet technical and manufacturing requirements. The measurements and drawings of the products and their parts are indicative only and not binding, because they can be modified without notice.

The latest updated information, data and certificates of our products are available on www.cortemgroup.com web site.

All Cortem Group products are covered by warranty for a period of twelve months from the delivery date. For more information, refer to the "General Terms and Conditions of Sale" on www.cortemgroup.com web site.

COPYRIGHT

In accordance with copyright laws, the Italian Civil Code and other regulations in effect in the markets where the Cortem Group operates, all the information, images, photographs, drawings, tables and anything else contained in the Cortem Group's illustrative/promotional material are the exclusive property of the Cortem Group, which has all the moral rights to the aforesaid material as well as the right to use it for commercial and economic purposes.

It is therefore forbidden to reproduce all or part of the Cortem Group's illustrative/promotional material in any way, unless otherwise authorized by the Cortem Group in writing. Any violation of the above is against the law.

© by Cortem - Villesse - Italy. All rights reserved



MOSCOW



ITALY



DUBAI



SINGAPORE



BUENOS AIRES



Sales

Piazzale Dateo 2
20129 Milano, Italia
tel. +39 02 76 1103 29 r.a.
fax +39 02 73 83 402

infomilano@cortemgroup.com

Works and Headquarters

Via Aquileia 10
34070 Villesse (GO), Italia
tel. +39 0481 964911 r.a.
fax +39 0481 964999

info@cortemgroup.com



Works and Headquarters

Via Aquileia 12
34070 Villesse (GO), Italia
tel. +39 0481 964911 r.a.
fax +39 0481 964999

info@elfit.com

vendite@elfit.com



Works and Headquarters

Via Aquileia 10
34070 Villesse (GO), Italia
tel. +39 0481 964911 r.a.
fax +39 0481 964999

info@cortemgroup.com



Works and Headquarters

Planta Industrial
Agrupamiento Industrial Ensenada
Cno. Gob. Vergara R.P. 215 Km 2
(1925) Ensenada

Buenos Aires, Argentina

tel. +54 221 422 1956

fax +54 221 422 1956

cotizaciones@theexzone.com.ar



Works and Headquarters

Jebel Ali Free Zone, P.O. Box 17123
Dubai, UAE

Telefono: +9714 8062000

Fax: +9714 8817609

Email: info-gulf@cortemgroup.com



Works and Headquarters

18 Tampines Industrial Crescent
#03-13 Space @ Tampines

Singapore 528605

tel. +65 6385 8538

fax +65 6385 8528

info@cortemgroup.com.sg



Works and Headquarters

Prospect Budennogo, 53

105275, Moscow

tel. +7 495 108 6854

info@cortemrus.ru

